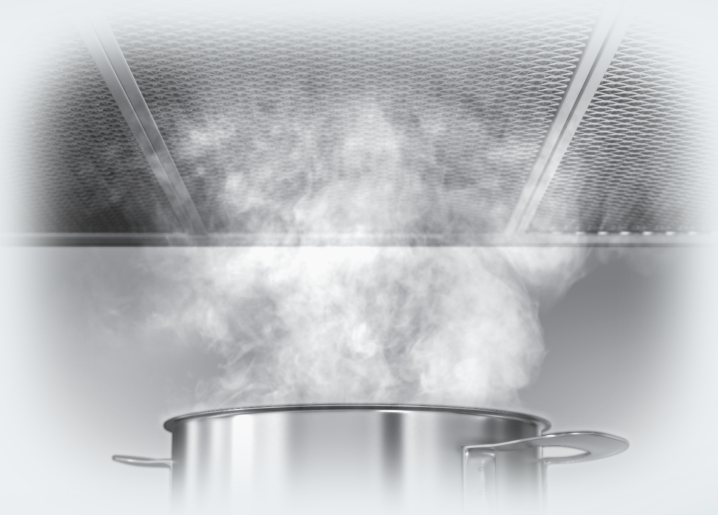


# Operating and installation instructions

## Rangehood



To prevent the risk of accidents or damage to the appliance, it is **essential** to read these instructions before it is installed and used for the first time.

# Contents

---

<b>Warning and Safety instructions</b> .....	4
<b>Caring for the environment</b> .....	13
<b>Guide to the appliance</b> .....	14
<b>Description of the functions</b> .....	16
<b>Operation</b> .....	17
Switching the fan on .....	17
Fan run-on after cooking.....	17
Switching the fan off .....	17
Switching the cooktop lighting on/off .....	17
<b>Energy saving tips</b> .....	18
<b>Cleaning and care</b> .....	19
Housing.....	19
Grease filter .....	20
NoSmell active charcoal filter .....	22
Disposing of the charcoal filter .....	22
Changing a lamp.....	23
<b>After sales service and warranty</b> .....	24
Position of the data plate .....	24
<b>Installation</b> .....	25
Before installation .....	25
Assembly parts .....	26
Appliance dimensions.....	28
Safety distance (S) .....	29
Installation recommendations.....	30
Attaching the front panel.....	35
Aligning the deflector plate .....	35
Fitting the grease filter .....	36
Set up for extraction mode .....	36
Set up for recirculation mode .....	37
Mains connection.....	38
<b>Electrical connection</b> .....	39
<b>Connection for air extraction</b> .....	40
Condensate trap .....	41
Silencer .....	41

<b>Technical data .....</b>	<b>43</b>
-----------------------------	-----------

## Warning and Safety instructions

---

This appliance complies with all relevant local and national safety requirements. Inappropriate use can, however, lead to personal injury and damage to property.

To avoid the risk of accidents and damage to the appliance, please read these instructions carefully before using it for the first time. They contain important notes on the safety, installation, use and maintenance of the appliance. Miele cannot be held liable for non-compliance with these instructions.

Keep these instructions in a safe place and ensure that all users are familiar with the contents. Pass them on to any future owner of the appliance.

### Correct application

- ▶ This rangehood is designed for domestic use and for use in similar environments by guests in hotel or motel rooms, bed & breakfasts and other typical living quarters. This does not include common/shared facilities or commercial facilities within hotels, motels or bed & breakfasts.
- ▶ The appliance is not suitable for outdoor use.
- ▶ It must only be used to extract vapours and remove odours from cooking.  
Any other usage is at the owner's risk. Miele cannot be held liable for damage resulting from incorrect or improper use or operation.
- ▶ Where a recirculation rangehood is fitted above a gas cooktop, please ensure that there is an adequate supply of fresh air into the room in which it is installed. Please seek the advice of a qualified gas fitter if necessary.

## Warning and Safety instructions

---

▶ This appliance is not intended for use by persons (including children) with reduced physical, sensory or mental capabilities, or lack of experience and knowledge, unless they have been given supervision or instruction concerning its use by a person responsible for their safety, and are able to recognise the dangers of misuse.

### **Safety with children**

▶ Young children must not be allowed to use this appliance.

▶ Older children may only use the appliance when its operation has been clearly explained to them and they are able to use it safely, recognising the dangers of misuse.

▶ Cleaning work may only be carried out by older children under the supervision of an adult.

▶ Children should be supervised near the appliance. Ensure that they do not play with the appliance.

▶ Danger of suffocation! Children may be able to wrap themselves in packing material or pull it over their heads with the risk of suffocation. Keep children away from any packing material.

# Warning and Safety instructions

---

## Technical safety

- ▶ Repairs and other work by unqualified persons could be dangerous. Installation, maintenance work and repairs to electrical appliances must only be carried out by a Miele approved service technician.
- ▶ A damaged appliance can be dangerous. Check it for visible signs of damage. Do not use a damaged appliance.
- ▶ The electrical safety of this appliance can only be guaranteed when continuity is complete between it and an effective earthing system. It is most important that this basic safety requirement is present and tested regularly and, where there is any doubt, the household wiring system should be inspected by a qualified electrician.
- ▶ Reliable and safe operation of this rangehood can only be assured if it has been connected to the mains electricity supply.
- ▶ Before connecting the appliance to the mains supply, ensure that the connection data on the data plate (voltage and frequency) matches the mains electricity supply. This data must correspond in order to avoid the risk of damage to the appliance. Consult a qualified electrician if in any doubt.
- ▶ Do not connect the appliance to the mains electricity supply by a multi-socket unit or an extension lead. Extension leads are a fire hazard and do not guarantee the required safety of the appliance.

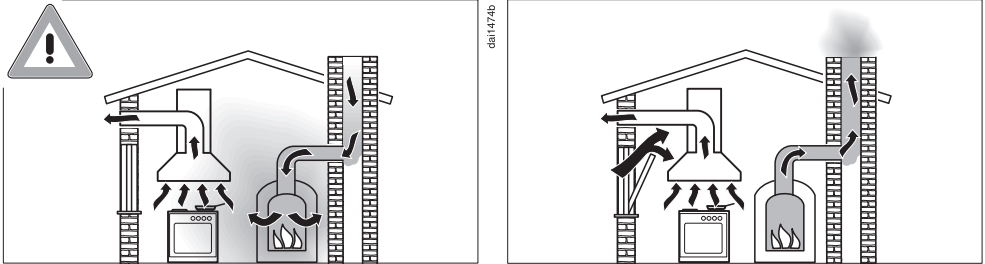
## Warning and Safety instructions

---

- ▶ For safety reasons, this appliance may only be used after it has been built in.
- ▶ This rangehood must not be installed and operated in mobile installations (e.g. on a ship).
- ▶ Tampering with electrical connections or components and mechanical parts is highly dangerous to the user and can cause operational faults.  
Only open the housing as described in the instructions given in the installation sheet and in the Cleaning and care section of this booklet. Under no circumstances should any other parts of the housing be opened.
- ▶ The manufacturer's warranty will be invalidated if the appliance is not repaired by a Miele approved service technician.
- ▶ Faulty components must only be replaced by genuine Miele spare parts. The manufacturer can only guarantee the safety of the appliance when Miele replacement parts are used.
- ▶ If the mains connection cable is damaged, it must only be replaced by a Miele authorised service technician in order to avoid a hazard.
- ▶ During installation, maintenance and repair work, the appliance must be disconnected from the mains electricity supply. It is only completely isolated from the electricity supply when:
  - the mains circuit breaker is switched off, or
  - it is switched off at the wall socket and the plug is withdrawn from the socket. Do not pull the mains connection cable but the mains plug to disconnect your appliance from the mains electricity supply.

# Warning and Safety instructions

Using at the same time as other heating appliances that depend on the air from the room



## ⚠ Warning - danger of toxic fumes

Great care should be taken when using the rangehood at the same time and in the same room or area of the house as another heating appliance which depends on the air in the room. Such appliances include gas, oil, wood or coal-fired boilers and heaters, continuous flow or other water heaters, gas cooktops, or ovens which draw air in from the room and duct exhaust gases out through a chimney or extraction ducting.

When used in extraction mode, with or without an external motor fitted, or in recirculation mode with a recirculation box installed outside the room, the appliance draws air in from the room in which it is installed and from neighbouring rooms.

If there is insufficient air, an underpressure will occur. The heating appliance will be starved of oxygen, impairing combustion. Harmful gases could be drawn out of the chimney or extraction ducting back into the room, with potentially fatal consequences.



## Warning and Safety instructions

In order to ensure safe operation, and to prevent gases given off by the heating appliances from being drawn back into the room when the rangehood and the heater are in operation simultaneously, an underpressure in the room of 0.04 mbar (4 pa) is the maximum permissible.

Ventilation can be maintained by air inlets which cannot be blocked, in windows, doors or outside wall vents, or by other technical measures, such as ensuring that the rangehood can only be switched on when the heating appliance is switched off or vice versa. A ventilation brick alone is not generally sufficient to ensure safe ventilation.

The overall ventilation condition of the dwelling must be taken into account. If in any doubt, the advice of a competent builder, or for gas a qualified gas fitter (registered with an official gas safety body in accordance with national safety regulations), must be sought.

If the rangehood is used in recirculation mode, where the air is directed back into the room in which it is located, operating a heating appliance which depends on the room air at the same time is not hazardous.

## Warning and Safety instructions

---

### Correct use

- ▶ Never use an open flame beneath the rangehood. To avoid the danger of fire, do not flambé or grill over an open flame. When switched on, the rangehood could draw flames into the filter. Fat deposits could ignite, presenting a fire hazard.
- ▶ The rangehood can become damaged when exposed to excessive heat.
  - When using the rangehood over a gas cooktop, ensure that any burners in use are always covered by a pan. Switch the cooking zone off when a pan is removed, even for a short time.
  - Select a pan which is suitable for the size of the burner.
  - Regulate the flame so that it does not burn up the sides of the pan.
  - Avoid overheating the pan (e.g. when cooking with a wok).
- ▶ Always switch the rangehood on when a cooking zone is in use, otherwise condensation may collect in the rangehood, which could cause corrosion.
- ▶ When cooking with oil or fat, chip pans and deep fat fryers etc., do not leave the pans unattended. Never leave an open grill unattended when grilling. Overheated oil and fat can ignite and could set the rangehood on fire.

## Warning and Safety instructions

---

- ▶ Do not use the rangehood without the filters in place. This way you will avoid the risk of grease and dirt getting into the appliance and hindering its smooth operation.
- ▶ There is a risk of fire if the rangehood is not cleaned as described in these operating instructions.
- ▶ The rangehood can get very hot during cooking due to heat rising from the cooktop.  
Do not touch the housing or the grease filters until the rangehood has cooled down.

### Correct installation

- ▶ Refer to the cooktop manufacturer's instructions as to whether a rangehood may be operated above the cooktop.
- ▶ Safety regulations prohibit the fitting of a rangehood over solid fuel stoves.
- ▶ Insufficient distance between the cooktop and the rangehood can result in damage to the rangehood.  
The minimum safety distances between the top of the cooktop and the bottom of the rangehood given in the "Installation" section must be maintained, unless the cooktop manufacturer states that a greater distance is required.  
If more than one cooking appliance is fitted beneath the rangehood, and they have different minimum safety distances to the rangehood, select the greater distance.
- ▶ The distances given in "Installation" must be observed when fitting the rangehood.
- ▶ All ducting, pipework and fittings must be of non-flammable material. These can be obtained from builders' merchants.
- ▶ The appliance must not be connected to a chimney or vent flue which is in use. Neither should it be connected to ducting which ventilates rooms with fireplaces.

## Warning and Safety instructions

---

▶ If exhaust air is to be extracted into a chimney or ventilation duct no longer used for other purposes, seek professional advice.

### Cleaning and care

▶ There is a risk of fire if the rangehood is not cleaned as described in these operating instructions.

▶ In areas which may be subject to infestation by cockroaches or other vermin, pay particular attention to keeping the machine and its surroundings in a clean condition at all times. Any damage which may be caused by cockroaches or other vermin will not be covered by the machine warranty.

▶ Do not use a steam cleaning appliance to clean this appliance. The steam could reach electrical components and cause a short circuit.

### Accessories

▶ Use only genuine original Miele spare parts. If spare parts or accessories from other manufacturers are used, the warranty will be invalidated, and Miele cannot accept liability.

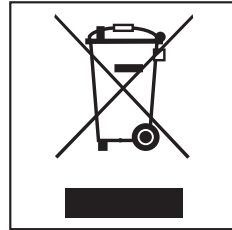
### Disposal of the packing material

The transport and protective packing has been selected from materials which are environmentally friendly for disposal, and can normally be recycled.

Recycling the packaging reduces the use of raw materials in the manufacturing process and also reduces the amount of waste in landfill sites. Ensure that any plastic wrappings, bags etc. are disposed of safely and kept out of the reach of babies and young children. Danger of suffocation.

### Disposing of your old appliance

Electrical and electronic appliances often contain materials which, if handled or disposed of incorrectly, could be potentially hazardous to human health and to the environment. They are, however, essential for the correct functioning of your appliance. Therefore, please do not dispose of your old appliance with your household waste.

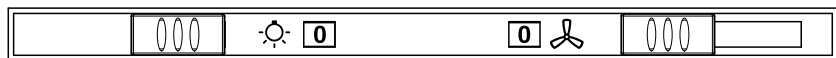
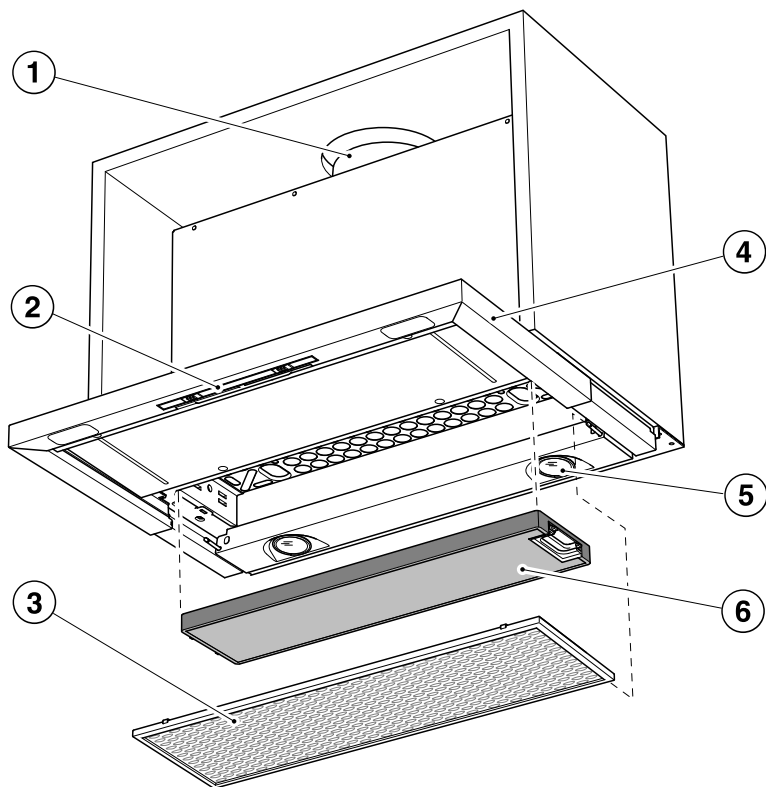


Please dispose of it at your local community waste collection / recycling centre.

Ensure that your old appliance presents no danger to children while being stored for disposal.

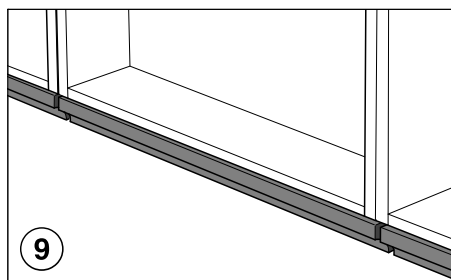
# Guide to the appliance

60352EP

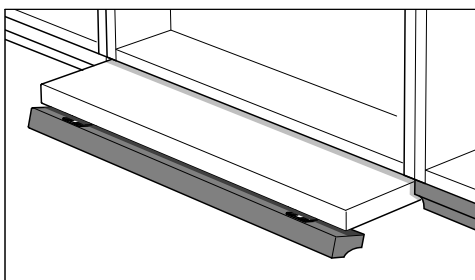


7

8



9



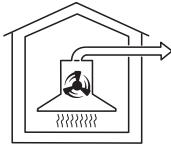
- ① Exhaust connection for air extraction/recirculation
- ② Touch controls
- ③ Grease filter
- ④ Pull-out deflector plate
- ⑤ Cooktop lighting
- ⑥ NoSmell active charcoal filter  
(special accessory for recirculation mode)
- ⑦ Sliding switch for the cooktop lighting
- ⑧ Sliding switch for the fan
- ⑨ Drop-down front panel  
A front panel to match your kitchen furniture may be fitted instead of this panel  
(DML 400 installation kit required).

# Description of the functions

---

Depending on the model of the rangehood, the following options are available:

## Air extraction mode



da10094a

The air is drawn in and cleaned by the grease filter and directed outside.

## Non-return flap

The non-return flap is designed to prevent the exchange of room and outside air taking place. The flap is closed when the rangehood is switched off.

When the rangehood is switched on, the non-return flap opens for the cooking vapours to be blown directly outside.

If the on-site ventilation system does not have a non-return flap, the non-return flap supplied must be fitted.

## Recirculation mode

(available as an optional extra with a conversion kit and charcoal filter: see "Technical Data")




da10094b

The air is drawn in and cleaned first by the grease filter and then by a charcoal filter. The cleaned air is then recirculated back into the kitchen.



## Switching the fan on

For light to heavy cooking vapours select from power levels **1** to **3**. For short periods of strong vapours and cooking odours, e.g. whilst searing meat, select the **IS** (Intensive) setting.

- Pull the deflector plate out. For optimum extraction with minimum noise levels, always pull the deflector plate out to its full extent.
- Switch the fan on with the fan switch  and select the power level you want.

## Fan run-on after cooking


- It is advisable to run the fan for a few minutes after cooking has finished to neutralise any lingering vapours and odours in the air.

## Switching the fan off

- Push the deflector plate in to switch the fan off. The next time the deflector plate is pulled out the rangehood will operate at the power level it was at previously.
- Alternatively you can slide the fan switch to **0**.

## Switching the cooktop lighting on/off

The cooktop lighting can be switched on and off with the deflector pushed in or pulled out and independently of the fan.

- Use the lighting switch  to switch the cooktop lighting on (**1**) or off (**0**).

## Energy saving tips

---

This rangehood operates very efficiently and economically. The following will help you to save even more energy when using it:

- Ensure that there is sufficient ventilation in the kitchen when cooking. In extraction mode, if there is insufficient air flow the rangehood cannot operate efficiently and this causes increased operating noise levels.
- Always cook with the lowest possible setting. This produces fewer cooking vapours, so you can use a lower rangehood power level and therefore benefit from reduced energy consumption.
- Check the power level selected on the rangehood. A lower power level is generally sufficient for the majority of cooking. Only use the intensive setting when necessary.
- When a large volume of cooking vapours are being produced, switch to a high power level in good time. This is more efficient than operating the rangehood for longer to try to capture cooking vapours which have already been distributed throughout the kitchen.
- Make sure that you switch the rangehood off after use.
- Clean or change the filters at regular intervals. Heavily soiled filters reduce performance, increase the risk of fire and are unhygienic.

## Housing

### General

The surfaces and controls are susceptible to scratches and abrasion.

Please observe the following cleaning instructions.

- Switch the rangehood off before any cleaning or maintenance work is carried out.
- All external surfaces and controls can be cleaned using warm water with a small amount of washing-up liquid applied with a well wrung-out soft sponge or cloth.

Do not use too much water when cleaning the controls.

Water could penetrate into the electronics and cause damage.

- After cleaning, wipe the surfaces dry using a soft cloth.

Do not use:

- cleaning agents containing soda, acids, chlorides or solvents,
- abrasive cleaning agents, e.g. powder cleaners or cream cleaners and abrasive sponges, as well as pot scourers or sponges which have been used previously with abrasive cleaning agents. These will damage the surface material.

### Important for appliances with stainless steel surfaces

(This information does not apply to the controls)

- Stainless steel surfaces can be cleaned with a proprietary non-abrasive cleaning agent designed specifically for use on stainless steel.
- To help prevent re-soiling, a proprietary conditioning agent for stainless steel (Original Miele Care product for stainless steel) can also be used. Follow the manufacturer's instructions on the packaging. Apply sparingly with a soft cloth following the instructions on the packaging.

### Important for the controls

Do not leave soiling on the controls for any length of time.

Otherwise they may suffer discolouration or damage.

Remove any soiling immediately.


- Observe the general notes on cleaning earlier in this section.

Do not use stainless steel cleaning agents on the controls.

# Cleaning and care

## Grease filter

The re-usable metal grease filter in the appliance removes solid particles from the kitchen vapours (grease, dust, etc.) preventing soiling of the rangehood.

 An oversaturated filter is a fire hazard.

### When to clean the grease filters

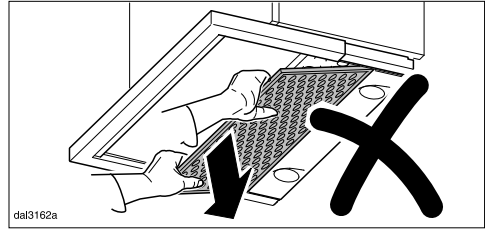
The grease filter should be cleaned regularly (at least every 3-4 weeks) to avoid a build-up of grease.

### Removing a grease filter

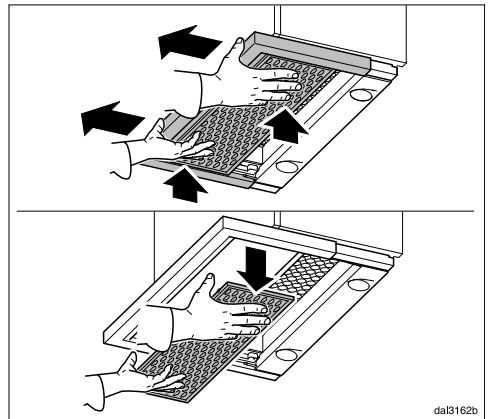
The grease filter can fall out when you are handling it.

This can result in damage to the filter and the cooktop below.

Make sure you hold the filter securely at all times when handling it.



When removing the grease filter do not tilt it downwards at an angle. This can damage the retaining pins.



- With the deflector plate pushed in, grip the front of the deflector plate and hold the grease filter securely. Whilst holding the grease filter, pull the deflector plate out as shown.
- Then pull the filter downwards to remove it.
- Switch off the fan.

### Cleaning the grease filter by hand

- Clean the grease filter with a soft nylon brush in a mild solution of hot water and a small amount of washing-up liquid. Do not use undiluted washing-up liquid.

## Unsuitable cleaning agents

Unsuitable cleaning agents can cause damage to the surface of the filters if used regularly.

Do not use:

- cleaning agents containing descaling agents,
- powder cleaners or cream cleaners,
- aggressive all-purpose cleaning agents or spray cleaners for grease,
- oven sprays.

## Cleaning the grease filter in a dishwasher

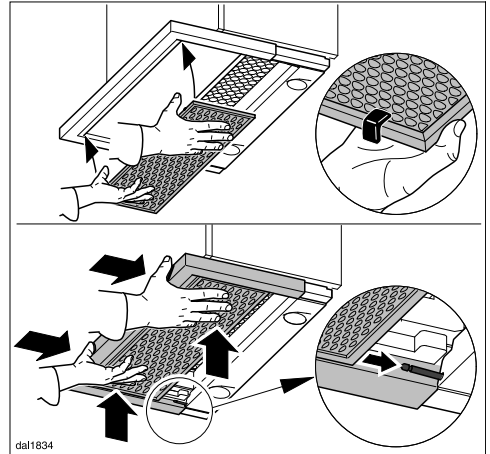
- Place the filter as upright as possible in the lower basket, with the short side upright, ensuring the spray arm is not obstructed.
- Use a proprietary household dishwasher detergent.
- Select a dishwasher programme with a wash temperature between 50 °C and 65 °C.

Depending on the cleaning agent used, cleaning the grease filter in a dishwasher can cause permanent discolouration to the surface. However, this will not affect the functioning of the filter in any way.

## After cleaning

- After cleaning, leave the grease filter to dry on an absorbent surface before refitting it.
- When removing the filter for cleaning, also clean off any residues of oil or fat from the now accessible casing to prevent the risk of these catching fire.

## Fitting the grease filter



- When fitting the grease filter, make sure that the red plastic guides are at the front and facing upwards.
- Place the grease filter in the front of the deflector plate, press it upwards and push it in together with the deflector plate. It will slide onto the retaining pins at the back. Finally, push the grease filter back a little more.

# Cleaning and care

---

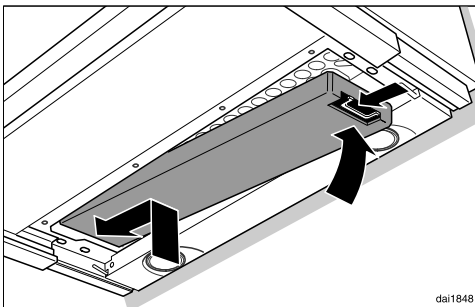
## NoSmell active charcoal filter

If the rangehood is connected for recirculation, a charcoal filter must be inserted in addition to the grease filter. This is designed to absorb cooking odours. It is fitted in the canopy above the grease filter.

Replacement charcoal filters can be obtained from Miele or via the internet at [www.miele-shop.com](http://www.miele-shop.com) (depending on country). See back of booklet for contact details, and "Technical data" for type and reference number.

## Fitting and replacing the charcoal filter

- Before fitting or replacing the charcoal filter, the grease filter must first be taken out (see previous section for instructions on how to do this).
- Unwrap the charcoal filter from its packaging.



- Fit the charcoal filter into the frame.
- Replace the grease filter.

## When to change the NoSmell active charcoal filter

- Always replace the charcoal filter when it no longer absorbs kitchen odours effectively. It should, however, be replaced at least every 6 months.

## Disposing of the charcoal filter

- The used charcoal filter can be disposed of with the normal household waste.

## Changing a lamp

The lamps should be replaced with the following:

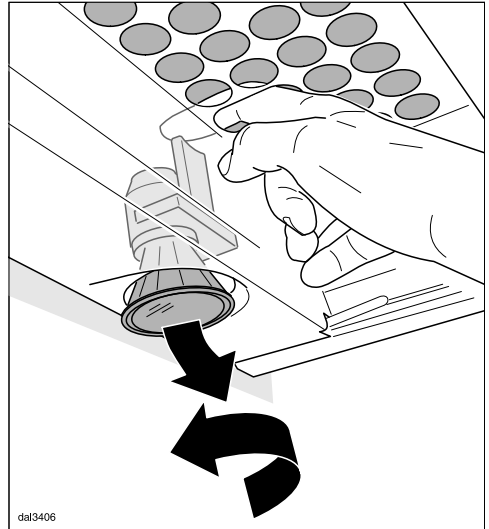
Manufacturer .....	EGLO
Lamp type .....	GU10
Specification .....	11427
Wattage .....	3 W

These lamps are available from Miele or from specialist retailers.

- Pull out the deflector plate, and remove the grease filter as described earlier.
- Switch off the fan and the lighting.

Note that lamps become very hot when in use. They can cause burns even after being switched off for some time. Allow the lamps to cool down for a few minutes before changing them.

- Remove the charcoal filter if the rangehood is being used in recirculation mode.
- Disconnect the rangehood from the mains electrical supply before replacing the lamps (see "Warning and Safety instructions").



dal3406

- Push down the lighting unit slightly via the opening in the safety panel.
- Turn the lamp anti-clockwise and pull it out.
- Screw the new lamp into the socket and push it upwards. Please follow the manufacturer's safety instructions.
- Replace the grease filter and, if being used in recirculation mode, the charcoal filter.

## **After sales service and warranty**

---

In the event of a fault which you cannot remedy yourself, please contact Miele.

The contact details for Miele are given at the back of these instructions.

When contacting Miele, please quote the model and serial number of your appliance.

These can be found on the data plate.

### **Position of the data plate**

The data plate is visible after removing the grease filter.


### **Warranty**

The manufacturer's warranty for this appliance is 2 years.

For further information, please refer to your warranty booklet.

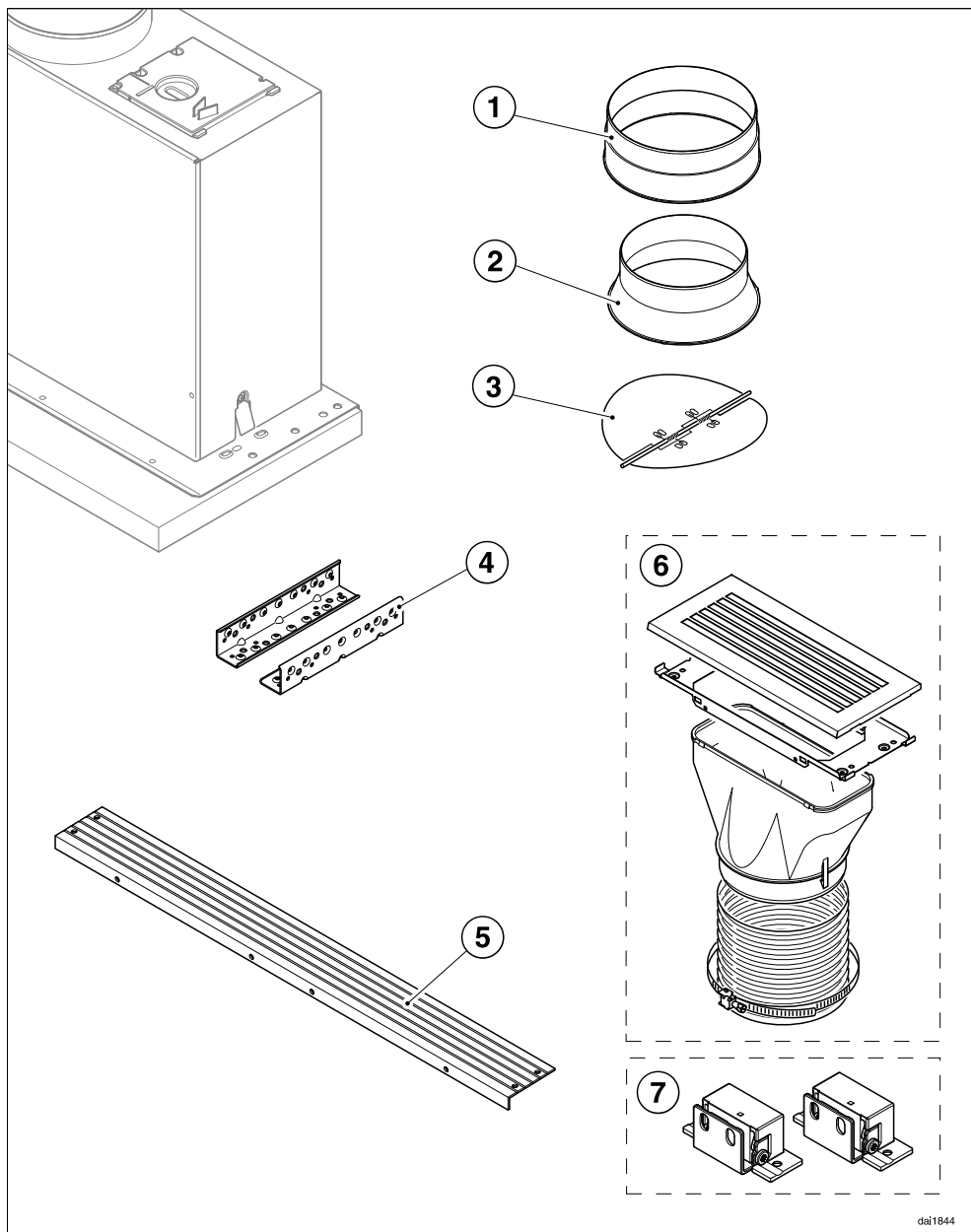


## Before installation

 Before installation, it is important to read the information given on the following pages as well as the "Warning and Safety instructions" at the beginning of this booklet.

# Installation

## Assembly parts



clai1844

- ① **1 exhaust connection**  
for exhaust ducting  $\varnothing$  150 mm.
- ② **1 reducing collar**  
for exhaust ducting  $\varnothing$  125 mm. NB:  
Miele recommends 150 mm ducting  
wherever possible.
- ③ **1 non-return flap**  
for fitting into the exhaust  
connection on the motor unit (not  
needed for recirculation mode).
- ④ **2 brackets**  
for securing the rangehood in the  
wall unit.
- ⑤ **1 spacer strip**  
for concealing the gap between the  
rear of the appliance and the wall.
- ⑥ **Conversion kit for recirculation  
mode**  
(not supplied, but available as an  
optional accessory - see "Technical  
data"). The kit contains an exhaust  
grille and flexible aluminium hose  
with hose clips.
- ⑦ **DML 400 installation kit for fitting  
a drop-down front panel**  
(not supplied but available as an  
optional accessory). Contains  
hinging and screws for fitting a front  
panel to match kitchen furniture.



## 14 screws 4 x 15 mm

for securing the rangehood in the wall  
unit.



## 8 screws M4 x 12 mm

for securing the rangehood to the  
brackets.

4 of the screws can be used instead of  
the plastic rivets to secure the spacer  
strip.



## 4 plastic rivets

for securing the spacer strip.

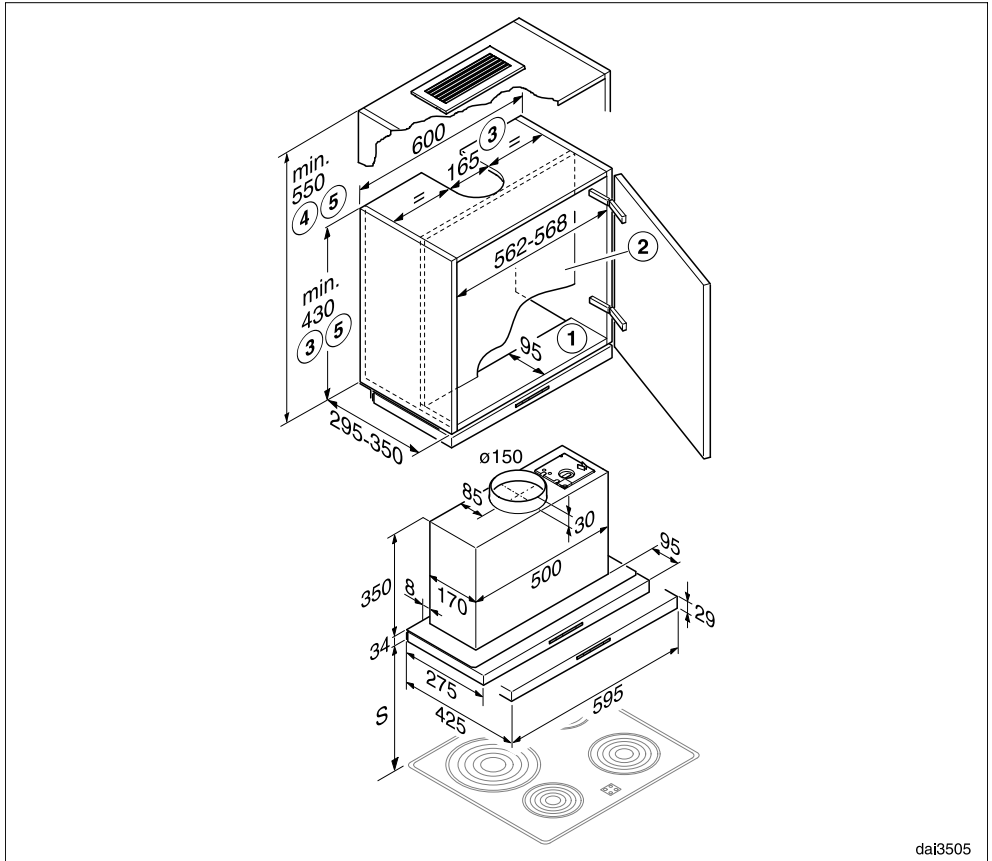
04932511

07270730

08289410

# Installation

## Appliance dimensions



- ① The front section of the wall housing unit must be fitted with a shelf to the depth of the partition wall. If the appliance is fitted further back, e.g. to accommodate a front panel, then the shelf depth should be correspondingly deeper.
- ② The partition wall in the wall unit must be removable.
- ③ For extraction mode: the height of the wall unit and the cut-out dimensions must take account of any accessories fitted, e.g. a silencer.
- ④ Recirculation mode with conversion kit DUU 151.
- ⑥ When installing the rangehood with a DAR 3000 drop-down frame, make sure that you note the different wall unit height (please refer to the dimensions given in the DAR 3000 building-in diagram).

## Safety distance (S)

The minimum distances between the top of a cooktop (excluding trivets, dials - depending on model) and the bottom of the rangehood are as follows, unless a greater distance is specified by the manufacturer of your cooking appliance. See also "Warning and Safety instructions".

Cooking appliance	Minimum distance S
Electric cooktop	600 mm
Electric grill, deep fat fryer (electric)	650 mm
Multi-burner gas cooktop with maximum 45.4 MJ/h total output, with no burner having a greater output than 16.2 MJ/h.	650 mm
Multi-burner gas cooktop with total output greater than 45.4 MJ/h, but with a maximum of 77.8 MJ/h, with no burner having a greater output than 17.3 MJ/h.	760 mm
Multi-burner gas cooktop with total output greater than 77.8 MJ/h, with a single burner having a greater output than 17.3 MJ/h.	Not possible
Single burner gas cooktop with a maximum output of 21.6 MJ/h.	650 mm
Single burner gas cooktop with an output greater than 21.6 MJ/h, but with a maximum of 29.2 MJ/h.	760 mm
Single burner gas cooktop with an output greater than 29.2 MJ/h.	Not possible

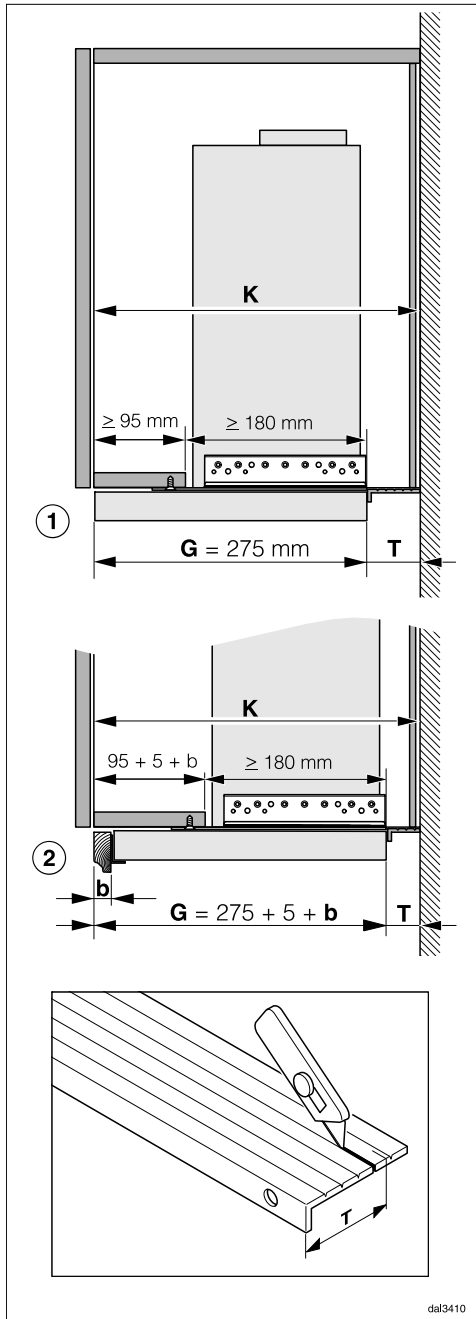
If you are fitting a front panel made of wood or plastic to the rangehood, observe the safety distances given by the cooktop manufacturer regarding the use of easily flammable materials.

# Installation

---

## Installation recommendations

- To achieve optimum vapour extraction, the rangehood must cover the cooktop. It should be positioned centrally over the cooktop, not to the side.
- The cooktop should be no wider than the rangehood and, if possible, it should be narrower, especially for safety distances greater than 750 mm.
- The installation area must be easily accessible. The rangehood should be easily accessible and easy to dismantle in the event that service is required. This should be taken into consideration when planning the position of cupboards, shelves, ceilings or features in the vicinity of the rangehood.



- ① Example: Installation without a front panel fitted and with the front edge of the deflector plate flush with the front edge of the furniture housing unit. This installation needs a shelf of at least 95 mm deep.
- ② Example: Installation with a front panel to match the kitchen furniture. This installation requires dimension **b** for the front panel plus 5 mm for the DML 400 fixing bracket to be added to the shelf dimension. The shelf must be correspondingly deeper.

The remaining installation gap must be at least 180 mm in depth. If it is smaller than 180 mm, position the appliance further back, and reduce measurement **T** accordingly.

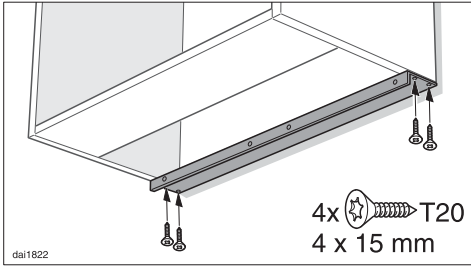
The position of the deflector plate can be adjusted in depth by a maximum of 35 mm at the front.

To position the rangehood correctly, cut the spacer strip to the required depth **T** and then attach it to the back of the appliance:

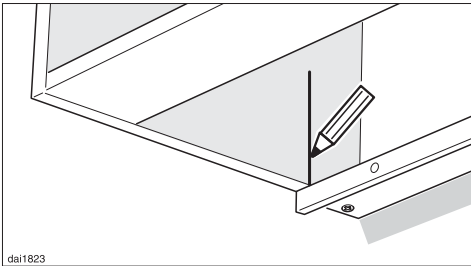
**T** = Depth of furniture unit **K** minus depth of appliance **G**

- Cut the spacer strip supplied to measurement **T**. Score along the groove for the **smaller** measurement as shown, and remove the surplus.

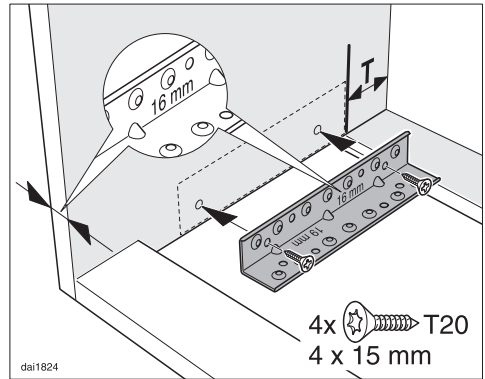
# Installation



- Secure the spacer strip underneath the housing unit sides, flush with the rear wall.

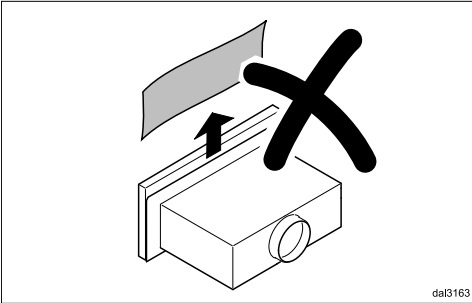


- Draw a vertical line up both inside walls of the housing from the front of the spacer strip.



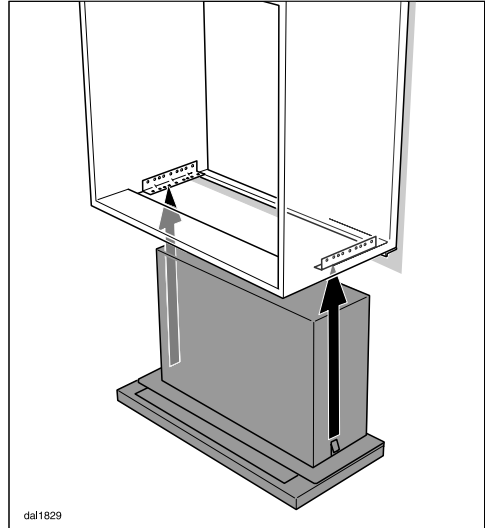
- The brackets are designed for 16 and 19 mm thick unit sides. Orientate the bracket so that the vertical depth matches the thickness of the unit side. Screw the brackets onto the right and left inside walls of the housing unit as shown. The back edge of the bracket should align with the vertical line drawn up from the front of the spacer strip and the lower edge should align with the lower edge of the housing unit side wall.



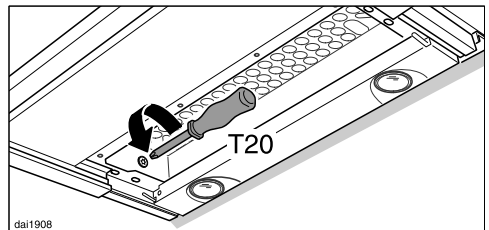


To avoid scratching the deflector plate, do not remove the protective film between the deflector plate and the casing until the rangehood has been placed in the housing unit.

- Installation of the rangehood is carried out without the grease filter placed in position. If the grease filter has already been fitted, then it should be removed (see "Cleaning and care").

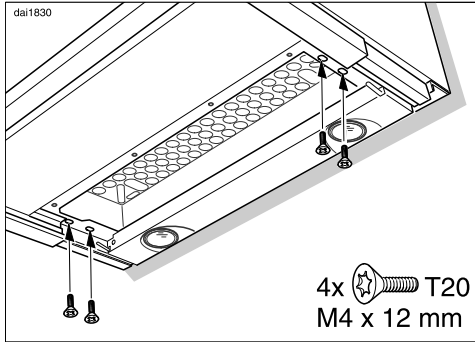


- Lift the appliance up into the housing unit from below until the spring mounts at the side engage in the brackets.
- Push the rangehood back against the spacer strip.

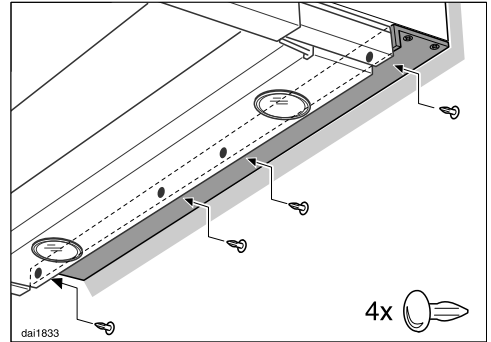


- Note for dismantling the rangehood: Undoing the screws on the left and right inside the housing releases the spring mounts, allowing the appliance to be removed from the unit.

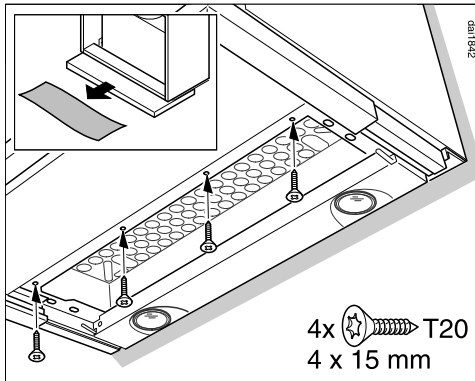
# Installation



- Secure the rangehood to the brackets from below using two screws on each side.



- Secure the spacer strip to the back of the appliance from behind using 4 plastic rivets as shown.



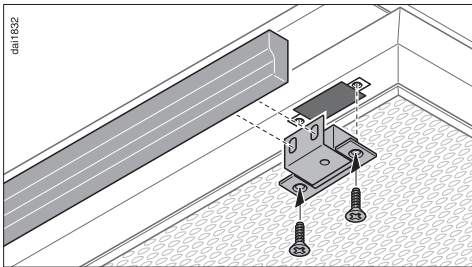
- Pull out the deflector plate and remove the protective film between the deflector plate and the casing.
- Secure the rangehood to the floor of the housing unit from below using 4 screws (6 screws are required for a 90 cm wide rangehood).

To avoid damaging the deflector plate when it is pulled out, care should be taken to screw the fixing screws in straight and to ensure that the screw heads are countersunk.

## Attaching the front panel

The front of the deflector plate can be fitted with a front panel to match existing kitchen furniture units. The front panel must not exceed 1300 g. This applies to front panels with a depth of up to 30 mm. For larger and heavier front panels, the weight must be reduced, e.g. by machining it away at the back.

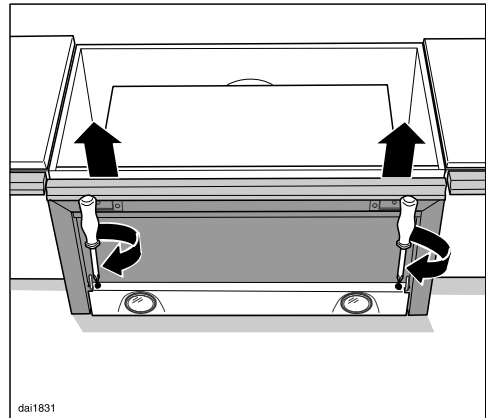
A DML 400 installation kit, available as an optional accessory, is required for fitting a front panel.



- Follow the installation instructions supplied.

## Aligning the deflector plate

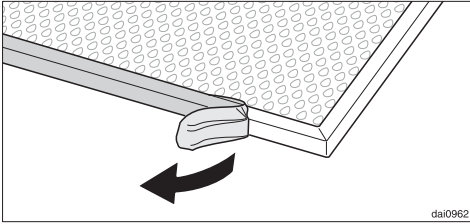
The position of the deflector plate can be brought forward by up to 35 mm using the adjusting screws on either side of the deflector plate. This allows the deflector plate to be aligned to the front of the kitchen furniture units on either side.



- Use a screwdriver to align the deflector plate correctly.

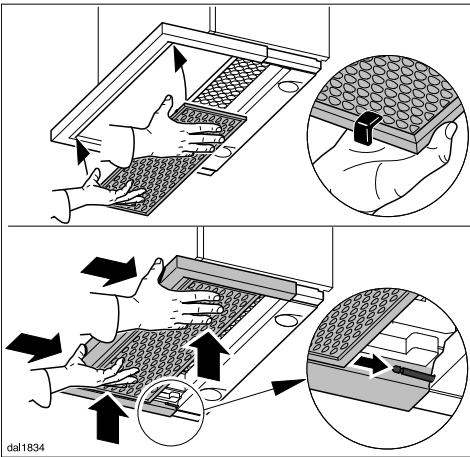
# Installation

## Fitting the grease filter



dai0962

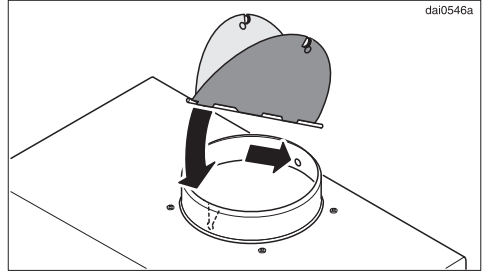
- Remove the protective foil around the edge of the grease filter.



dai1834

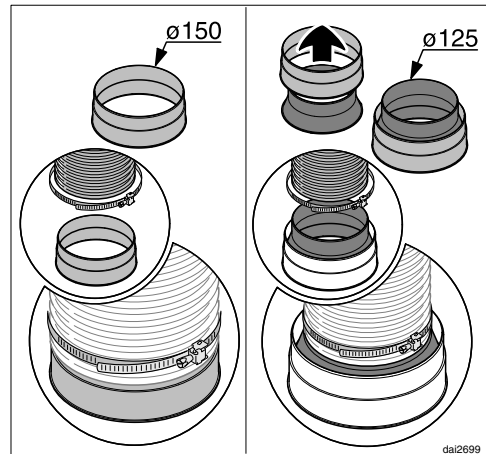
- When fitting the grease filter, make sure that the red plastic guides are at the front and facing upwards.
- Place the grease filter in the front of the deflector plate, press it upwards and push it in together with the deflector plate. It will slide onto the retaining pins at the back. Finally, push the grease filter back a little more.

## Set up for extraction mode



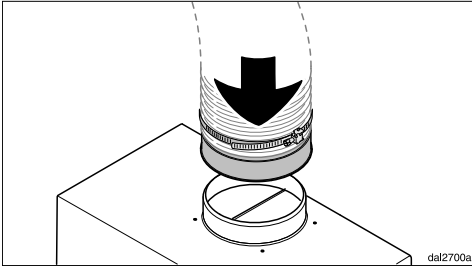
dai0546a

- If required, install the non-return flap. Check that the flap opens easily and closes by itself.



dai2699

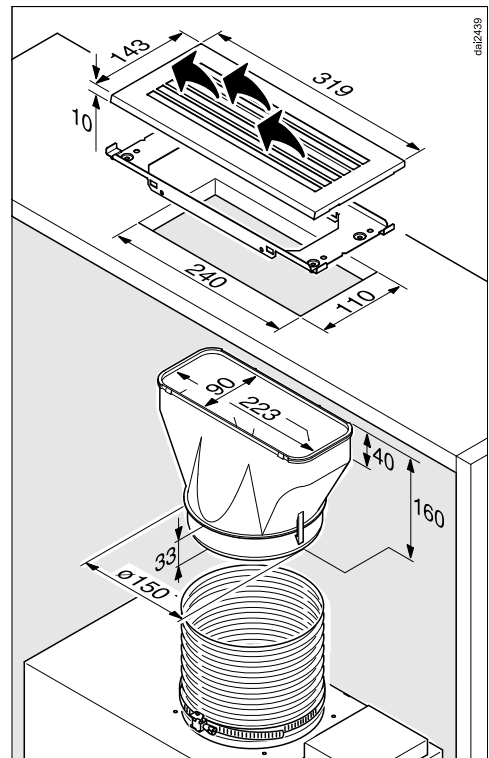
- Attach the exhaust ducting, e.g. flexible hose, to the exhaust collar using a hose clip (available as an optional accessory). When using  $\varnothing$  125 mm ducting, fit the reducing collar supplied into the exhaust socket (see "Connection for air extraction").



- Place the exhaust ducting on the exhaust collar for the rangehood.
- See "Connection for air extraction" for further instructions on fitting the ducting.

## Set up for recirculation mode

If site conditions are not suitable for the rangehood to be used with air extraction, the appliance must be set up for recirculation. The DUU 151 conversion kit, available from Miele, is required for operating the rangehood in recirculation mode. You will also need a charcoal filter (see "Technical data").



- Fit the conversion kit as described in the installation instructions supplied with the kit. Make sure that the slats in the exhaust grille point towards the centre of the room and not towards a wall or the ceiling. A non-return flap is not used in recirculation mode.

# Installation

---

- Fit the charcoal filter (see "Cleaning and care").

## Mains connection

Refer to the notes in "Electrical connection" and "Warning and Safety instructions" before connecting to the electricity supply.

- Plug the connection cable into an electrical socket.

All electrical work should be undertaken by a suitably qualified and competent person in strict accordance with current national and local safety and building code regulations. Installation, repairs and other work by unqualified persons could be dangerous, for which the manufacturer cannot be held liable. Ensure power is not supplied to the appliance until after installation or repair work has been carried out.

The rangehood must be connected to a suitably earthed socket (AC 230 V, 50 Hz).

For extra safety it is advisable to install a residual current device (RCD) with a trip current of 30 mA.

Connection of this appliance should be made via a suitable isolator which complies with national and local safety regulations and the On-Off switch should be easily accessible after the appliance has been built in.

If the mains socket is not accessible after installation, an additional means of disconnection must be provided for all poles. There must be an all-pole contact gap of 3 mm in the switch (including switch, fuses and relays according to EN 60335).

The connection data is given on the data plate (See "After sales service"). Ensure that this data matches the household mains supply.

# Connection for air extraction

**⚠** Before installation, it is important to read the information given on the following pages as well as the "Appliance dimensions" and the "Warning and Safety instructions" at the beginning of this booklet. This is particularly crucial when using the rangehood at the same time as a heating appliance that relies on oxygen from the same room, which could result in the build-up of toxic fumes.

The rangehood should be installed according to local and national building regulations. Seek approval from the building inspector where necessary.

- Only use smooth pipes or flexible hoses made from non-flammable materials for the extraction ducting.

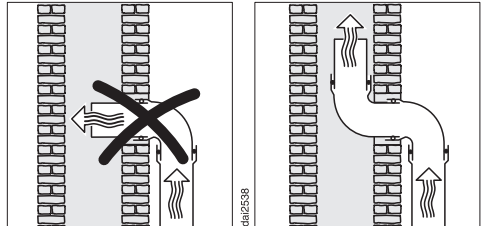
Highly flexible, concertina type ducting material will greatly reduce the performance of the rangehood.

- To achieve the greatest possible air extraction with the lowest noise level, please note the following:
  - To ensure efficient air extraction, the diameter of the exhaust ducting should not be less than 150 mm.
  - If flat ducting is being used, the cross-sectional area must not be smaller than the cross-sectional area of the exhaust connection.
  - The exhaust ducting should be as short and straight as possible.
  - Only use wide radius bends.

- The exhaust ducting should not be kinked or compressed.
- Ensure that all connections are strong and airtight.

Remember that any constriction of the airflow will reduce extraction performance and increase operating noise.

- If the exhaust is ducted through an outside wall, a telescopic wall vent or a roof vent (available as an optional accessory) is recommended.

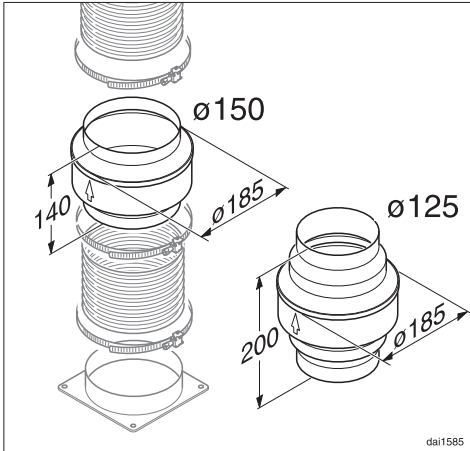


- If the exhaust air is to be ducted into a vent flue, the ducting must be directed in the flow direction of the flue.
- When ducting is horizontal it must be laid to slope away at at least 1 cm per metre. This is to ensure that condensate cannot drain back into the rangehood.
- If the exhaust ducting is to run through rooms, ceiling space etc. where there may be great variations in temperature between the different areas, the problem of condensation will need to be addressed. The exhaust ducting will need to be suitably insulated.



# Connection for air extraction

## Condensate trap



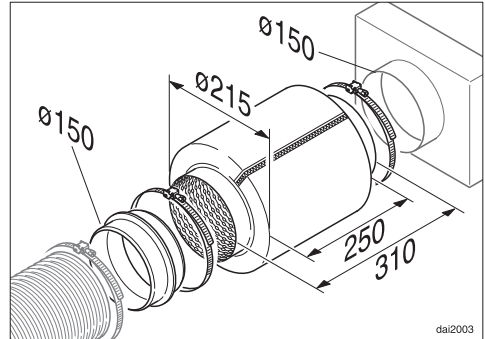
In addition to insulating the exhaust ducting, we recommend that a suitable condensate trap is also installed to collect and evaporate any condensate which may occur.

Condensate traps are available for 125 mm or 150 mm ducting.

- When installing a condensate trap, ensure that it is positioned vertically and, if possible, directly above the exhaust socket.

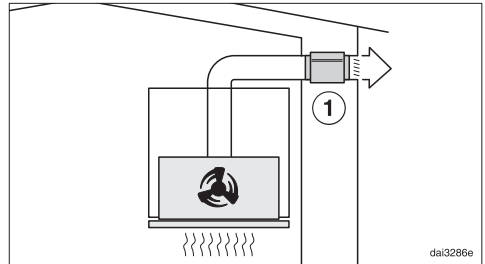
The arrow on the housing indicates the direction of airflow.

## Silencer



To achieve even further reductions in noise levels, a special silencer (optional accessory) can be fitted in the ducting system.

## Air extraction mode

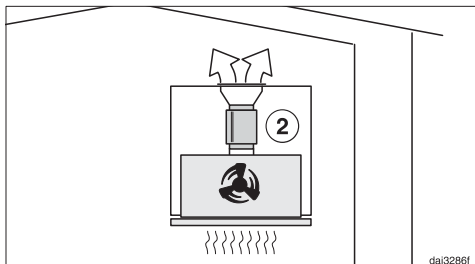


The silencer not only reduces noise from the motor outside the house, but also sounds from outside (e.g. traffic noise). For this reason, the silencer must be positioned as close as possible to the ducting exit ①.

# Connection for air extraction

---

## Recirculation mode



The silencer needs to be positioned between the exhaust connection and the exhaust grille ②. Ensure there is adequate space for fitting it.

## Technical data

Fan motor	110 W
Cooktop lighting	2 x 3 W
Total rated load	116 W
Voltage, frequency	AC 230 V, 50 Hz
Fuse rating	10 A
Mains connection cable length	1.5 m
Weight	12 kg

Special accessories for recirculation mode:  
Conversion kit DUU 151 and charcoal filter DKF 13-1.







**Miele Australia Pty. Ltd.**

ACN 005 635 398  
ABN 96 005 635 398

**Miele Center and Head Office Melbourne:**

1 Gilbert Park Drive  
Knoxfield, VIC 3180

**Miele Center and Office Melbourne:**

206-210 Coventry Street  
South Melbourne, VIC 3205

**Miele Center and Office Sydney:**

3 Skyline Place  
Frenchs Forest, NSW 2086

**Miele Center and Office Brisbane:**

39 Harvey Street North  
Eagle Farm, QLD 4009

**Miele Center and Office Adelaide:**

83-85 Sir Donald Bradman Drive  
Hilton, SA 5033

**Miele Center and Office Perth:**

205-207 Stirling Highway  
Claremont, WA 6010



[www.miele.com.au](http://www.miele.com.au)



**Miele New Zealand Limited**

IRD 98 463 631

**Head Office:**

Level 2, 10 College Hill  
Freemans Bay, Auckland 1011

**Miele Center Auckland:**

8 College Hill  
Freemans Bay, Auckland 1011

**Telephone:**

0800 4 MIELE (0800 464 353)

[www.miele.co.nz](http://www.miele.co.nz)

**Miele Global Headquarters**

**Germany**

**Miele & Cie. KG**

Carl-Miele-Straße 29  
33332 Gütersloh  
Federal Republic of Germany

DA 3366



en-AU, NZ

M.-Nr. 10 121 950 / 04