

## IMPORTANT

- \* PLEASE READ ALL INSTRUCTION CAREFULLY BEFORE COMMENCING INSTALLATION. CHECK THAT THE ELECTRICAL SUPPLY DATA QUOTED ON THE RATING PLATE OF THE APPLIANCE AGREES WITH THAT OF YOUR SUPPLY.
- \* The appliance must be installed by the service agent or a similar qualified technician in order to avoid hazard.
- \* Make sure cooker-hood must be fixed directly to a wall or mounted in the lower part of an hanging cupboard.
- \* Do not install cooker-hood close to a window, rain may cause an electrical hazard.
- \* To protect against electrical shock, do not immerse unit, cord in water or spray with liquids.
- \* Before performing any maintenance operation, disconnect the hood from the mains power supply.
- \* Switch off the main double pole switch before putting on or taking off parts and before cleaning.
- \* Do not operate in the presence of explosive and / or flammable fumes.
- \* Do not operate any appliance with a damaged cord, after the appliance malfunctions or has been dropped or damaged in any manner.
- \* Do not let cord touch any hot surfaces.
- \* Do not check filter when appliance is working.
- \* Do not touch the lamps after a prolonged use of the appliance.
- \* No food must be cooked flame underneath the hood.
- \* The use of an unprotected flame is dangerous for the filters and could cause fires.
- \* Watch constantly the fried food in order to avoid that the cooking oil flares up.
- \* This product is intended for HOUSEHOLD USE only and not for commercial or industrial use.
- \* Do not switch on the appliance unless completely assembled and adjusted.
- \* The manufacturers refuse to accept any responsibility for eventual damages, because of failure to observe the above instructions.

## WARNING

When the supply cord is damaged, it must be replaced by the manufacturer or its service agent or similar qualified person in order to avoid hazard.

This appliance complies with the directions EMC 89/336/EEC revised 92/31/EEC and 93/68/EEC.

If the room contain a flued fuel burning appliance which is not of the "Balance Flue" type - make sure there is an adequate air inlet to the room at all the time so that fumes are not drawn sown the flue

## ELECTRICAL CONNECTION

- \* The connection to the electrical mains must be made as follows:

BLUE ..... "N" NEUTRAL  
BROWN ..... "L" LIVE

- \* As the color of the wires in the mains lead of this appliance may not correspond with the colored markings identifying the terminals in your plug, proceed as follows:

- The wire which is colored BROWN must be connected to the terminal which is marked with letter "L" or colored RED.
- The wire which is colored BLUE must be connected to the terminal which is marked with a letter "N" or colored BLACK.

- \* If the terminals of the plug are unmarked or if you are in any doubt consult a qualified electrician.

The appliance must be placed in such a way, that the supply plug is accessible.

Connect the cord to a socket or omnipolar switch which must have a minimum contact opening distance of 3 mm. and a fuse rating of 3amp

ATTENTION: Should the lamps not work, make sure they are well tightened.

## UTILIZATION

The hood is designed to be utilized either for suction version at external evacuation or filtering version at internal re-circulation.

## INSTALLATION

The cooker hood is supplied with

- 1 Spacer
- 4 Screws
- 2 Bulbs

\* When installed, the hood must be not less than 70 cm above electric burner or 80 cm above gas or mixed-fuel burners.

\* This hood is designed for fitting in a cabinet or on some other support. For fixing, utilize the 4 screws  $\phi$  6mm given with the hood (C).

\* Close the space that remains between the hood and the wall, adjusting the spacer (F).

\* Before completing any connection, make sure the house voltage corresponds with the voltage indicated on the data label.

## SUCTION VERSION

The air is vented outdoors by a duct which must be connected to exhaust hole  $\phi$  100mm to  $\phi$  120mm. 2M Version by the connecting ring (A).

The hood must not be connected to fuel exhaust flues or to a duct in

which hot air is circulated, or is utilized to remove the fumes from appliances stocked by an energy different from the electric one.

Pay attention when there is the contemporary functioning of an hood and a burner or furnace depending from the air of the surrounding (stocked by an energy different from the electric one), because the hood, suctioning, takes away from the surrounding the air that the burner or the furnace need for the combustion.

So, for a sure functioning, provide a suitable ventilation of the room by doors, windows or other technical devices.

For the external exhaust must not be made in a flue, utilized for the combustible gas of appliances not stocked by the electric energy.

## FILTERING VERSION (INTERNAL RE-CYCLING)

When there is no exhaust duct for venting out-door, you can use a carbon filter (D). The air is deputed by the filter and put again in the surrounding. Filter are not wash-able; they cannot be regenerated and have to be replaced at most every 2 months. the saturation of the activated charcoal depends on the more or less prolonged use of the hood, on the type of cooking and on the regularity of cleaning the grease filter. The filter has to be applied to the aspirating group, which is inside the hood hitting the center of the group with it until the stop click is heard to lock it. remove the grill (E) fig.2 to carry out this operation. The air is released in the room through a connecting pipe, which goes through the hanging cupboard and is connected to the connecting ring supplied (A) fig.1

To use the appliance in this version, proceed as follows:

- \* Open the grids (E).
- \* Insert the filter (D) with the knob (B).
- \* Reinstall the grids.

## OPERATION INSTRUCTION

SWITCH ON THE LAMPS (L - FIG 2)

\* Pull out the grill (G) more than 50 mm,

\* Slide the switch (C-1) from position "0" to "1".

ASPIRATE SPEED (FIG.2)

\* Pull out the grill (G) more than 50 mm

\* Slide the switch (C-2) from position "0" to "1" at low speed.

\* Adjust the aspirate speed at mid speed by Slide the switch (C-3) from position "1" to "2".

\* Adjust the aspirate speed at high speed by Slide the switch (C-3) from position "2" to "3".

\* Switch off the appliance by slide the switch (C-2) from position "1" to "0".

\* LED (C-4) will be lighted up when the aspirate motor operate.

YOU CAN CHANGE THE SPEED DURING OPERATION.

## MAINTENANCE

The effective functioning of the hood depends on the regularity with which the maintenance operations are carried out, Particularly in the case of the grill (E) and activated charcoal filters (D).

The grid, has the function of catching the fat and solid particles suspended in the air. It is thus subject to clogging at various intervals, according to use and the type of cooking. In any case, it is necessary to clean the grid at least every two months, for this:

- Remove the grid and wash it with a solution of lukewarm water and neutral liquid detergent, allowing the dirt to soften

- Rinse thoroughly with lukewarm water.

- When there is a default of washing instructions, you have a fire risk. The activated charcoal filter present only in filtering version has the function of trapping odors and purifying the air. The saturation of the activated charcoal occurs after more or less prolonged use : depending on the type of cooking and the regularity of cleaning of the grease filter.

In any case it is necessary to replace the cartridge at least every four months. Clean frequently all the deposits on the fan and the other surfaces, utilizing a cloth moistened by methylated spirits or neutral and not abrasive fluid detergent.

## CHANGING THE BULBS

- Disconnect the hood from the electricity.

- Remove the lamp cover.

- Always replace burnt-out lamps, according to what is provided for your appliance, with olive-shaped max 40 Watt bulbs.

- Re-close the lamp cover

## Connections - Applicable to U.K. only

The wires in this mains lead are coloured in accordance with the following code:

**BLUE-NEUTRAL  
BROWN-LIVE**

As the colours of the wires in the mains lead of this appliance may not correspond with the coloured marking identifying the terminals in your plug, proceed as follows:

The wire which is coloured BROWN must be connected to the terminal which is marked with the letter "L" or coloured RED.

The wire which is coloured BLUE must be connected to the terminal which is marked with a letter "N" or coloured BLACK.

**Note: If the terminals of the plug are unmarked or if you are in any doubt consult a qualified electrician.**

KEEP THESE INSTRUCTIONS FOR REFERENCE.

Fig. 1

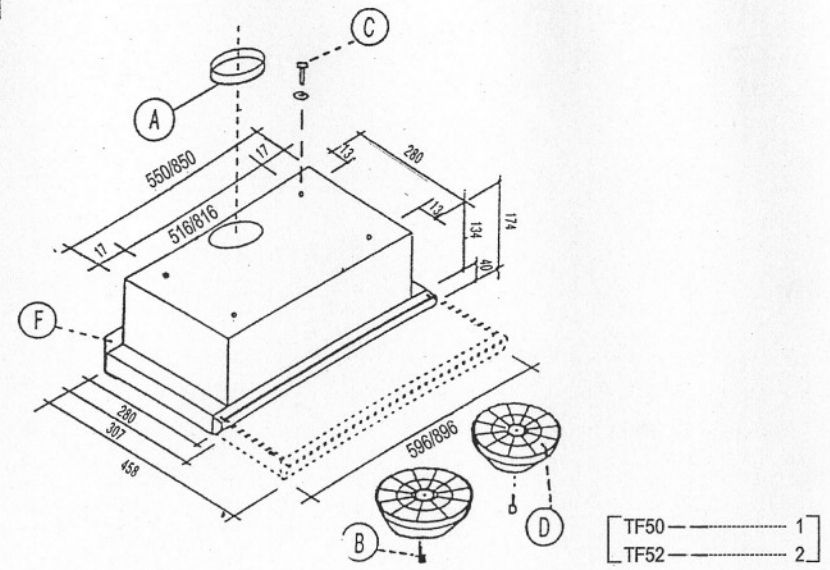


Fig. 2

