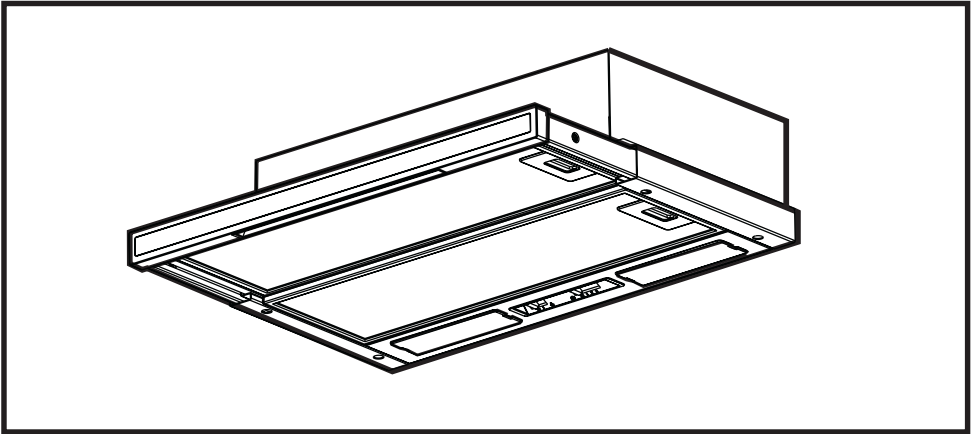
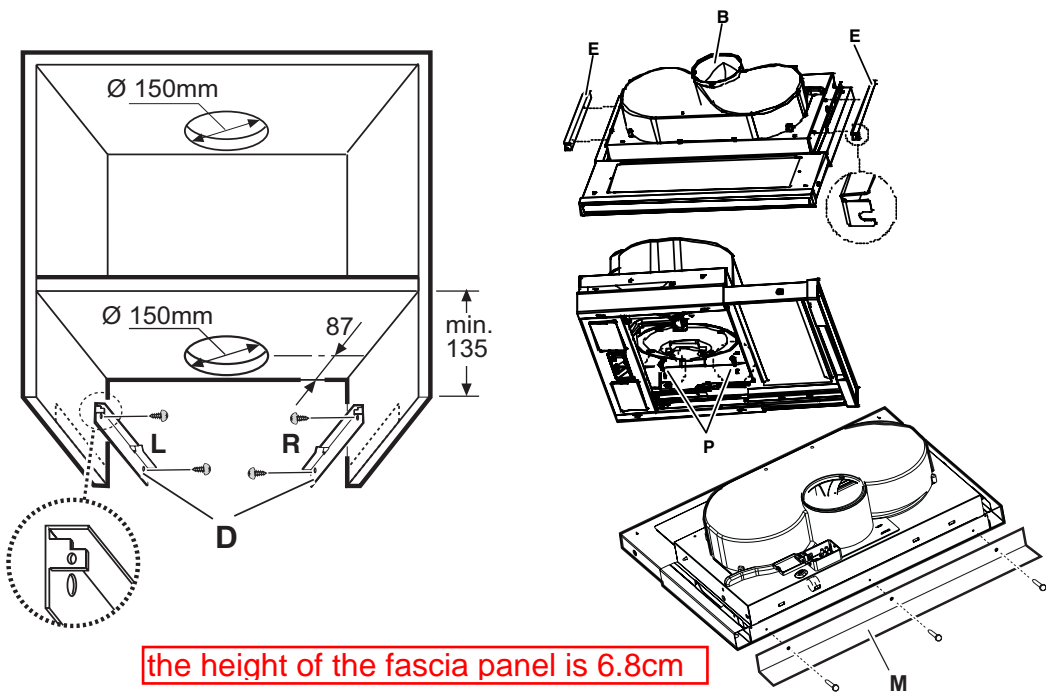




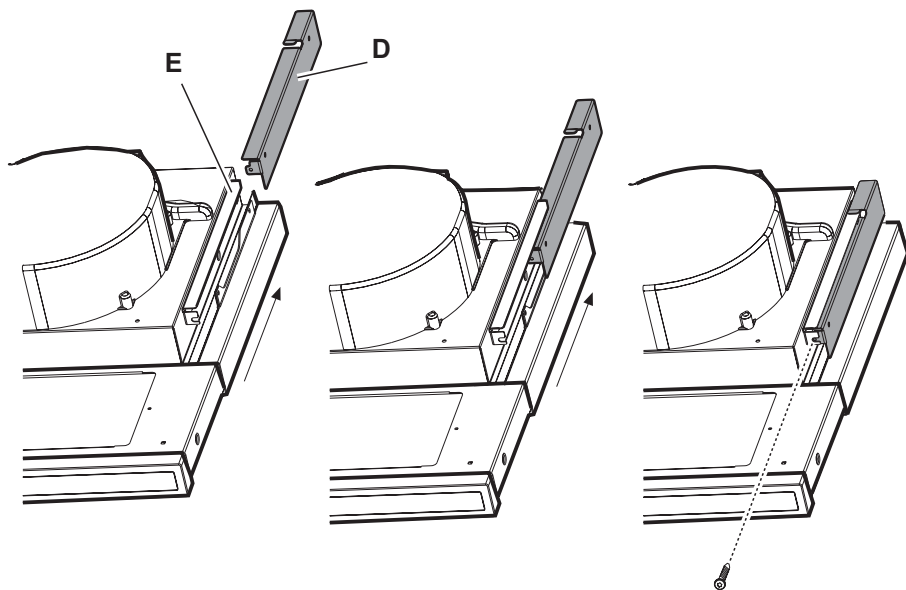
INSTRUCTION ON MOUNTING AND USE S72 -



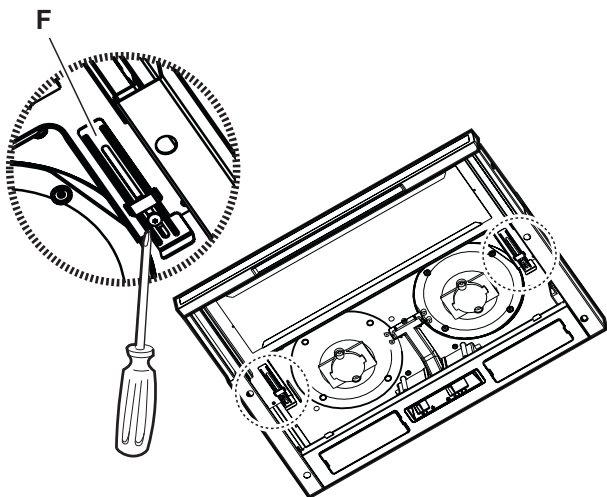


1

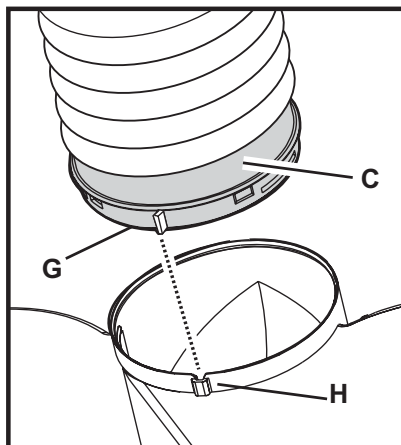
2



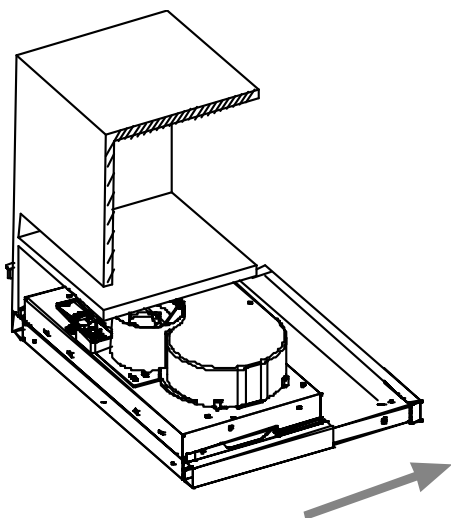
3



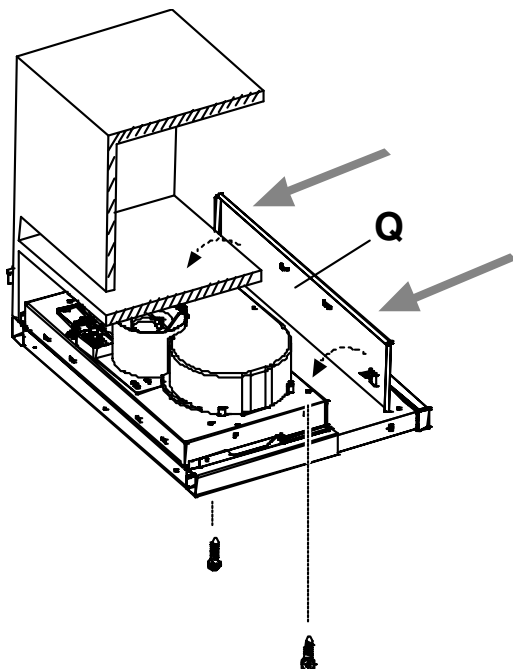
4



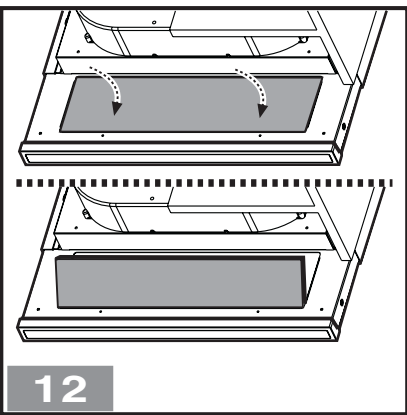
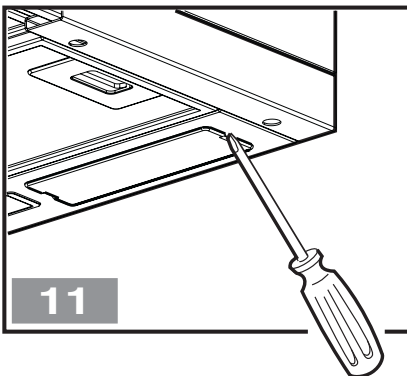
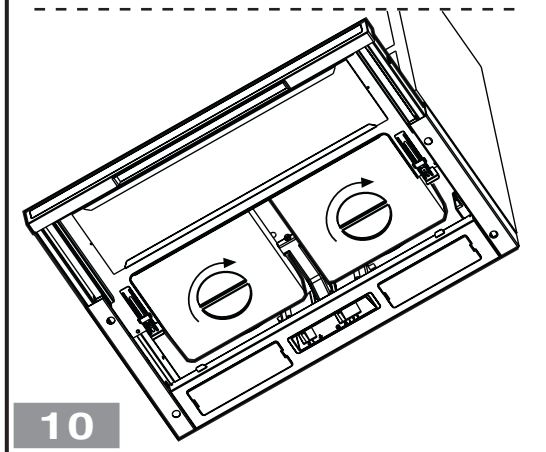
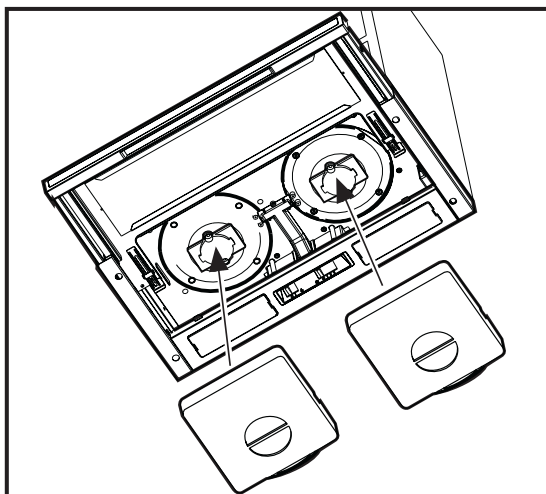
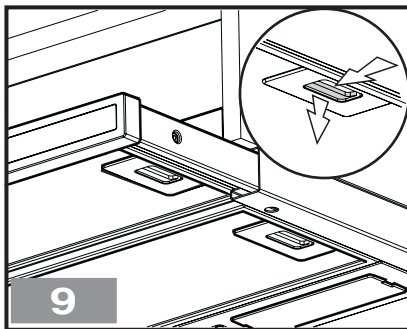
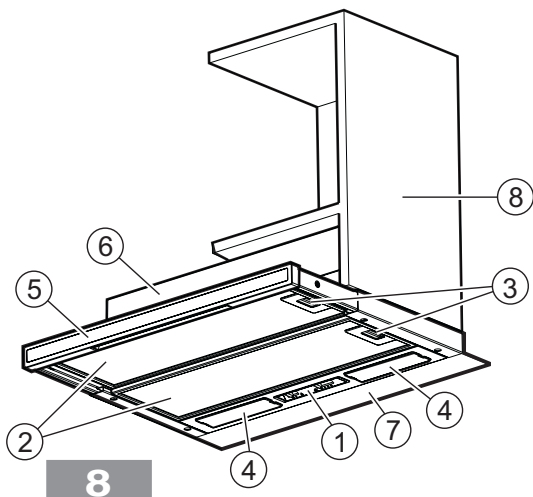
5



6



7



Consult the designs in the front pages referenced in the text by alphabet letters. **Closely follow the instructions set out in this manual.** All responsibility, for any eventual inconveniences, damages or fires caused by not complying with the instructions in this manual, is declined.

## Installation

The cooker hood must be placed at a minimum distance of 60 cm from the cooking plane for electric cookers and 70 cm for gas or mixed cookers.

If the instructions for installation for the gas hob specify a greater distance, this must be adhered to.

The hood is equipped with a top air outlet **B** (Fig. 2) for discharge of fumes to the outside (Ducting version – exhaust pipe and pipe fixing clamps not provided).

Should it not be possible to discharge cooking fumes and vapour to the outside, the hood can be used in the **filter version**, fitting an activated carbon filter (in the case of the model with two suction motors then two active carbon filters are required), a discharge tube, for the expulsion of fumes, should be mounted on the connection ring **C** (Fig. 5) situated on the top of the wall cabinet (discharge tube and fixing brackets are not supplied).

The models with no suction motor only operate in ducting mode, and must be connected to an external suction device (not supplied).

### Preliminary information for installation of the hood:

During the installation phase do not connect the hood to the power supply.

Attention! The 2 fixing brackets are lodged in the protection in polyester packing

The brackets are one right **R** and one left **L** (see bossing shown on the brackets).

1. Fix the **D** bracket (Fig.1) to the side panel of the wall unit with two screws for every bracket (the right **R** bracket on the right side and the left **L** bracket on the left side). Align the bracket with the lower border.

Position the bracket to touch the back border of the wall cabinet, considering that the back border of the bracket corresponds to the back side of the cooker hood;

If the cooker hood is provided with a spacer, in case of use, move the bracket forward to the same thickness as the spacer.

Drill a hole on the ceiling of the wall cabinet to pass the discharge tube and the electrical cable (the quote indicated in Fig. 1 does not include the eventual spacer).

2. If not already mounted, fix the two **E** brackets (Fig.2) to the sides of the hood (one per side).

a. remove the extractable part of the cooker hood;

b. remove the grease filter/s;

c. fix the brackets with two screws **P** per bracket from inside the cooker hood, affix them as more as possible upwards (air exit side) and then serrate the screws.

3. Affix the spacer **M** with three Clips from the external part of the cooker hood (if supplied - Fig. 2).

4. Insert the cooker hood in the wall cabinet, ensuring to position the cooker hood bracket **E** above the wall cabinet bracket **D** (Fig. 3).

Thread the electric cable through the appropriate perforation.

5. Block the cooker hood with two screws on the frontal part (Fig. 3 – one per side).

6. Connect the cable to the electrical mains, only when the installation is completed.

7. If the cooker hood should not touch perfectly with the lower border of the wall cabinet then regulate by loosening the screws **P** of the brackets **E** mounted on the cooker hood (Fig. 2), it will be possible to regulate the perfect matching of the cooker hood and wall cabinet, once regulated tighten the screws.

8. Regulate the gliding of the extractable drawer in relation to the depth of the wall cabinet by acting on the two skirting boards **F** (Fig. 4).

In this way it will be possible to place the front in line with the wall cabinet (Fig. 4).

a. Loosen the screws on the skirting board **F**;

b. Move the ledges backwards or forwards depending on requirement.

c. Lock in the screws on the ledges.

9. Install a discharge tube on the connection ring **C** supplied, preferably with a diameter equivalent to the connection ring (Fig. 5). the discharge tube should be sufficiently long to reach outside (Suction version) or the ceiling of the wall cabinet (Filter version).

10. Fix the connection ring **C** (snap into place), at the upper exit of the cooker hood.

To ease the installation, the ring is equipped with an index **G** that should correspond to the appropriate guide **H** placed on the upper air exit.

11. Complete the installation of the discharge tube.

12. Open the extractable drawer (Fig.6) and apply the aesthetic **Q** mask (if supplied) with two screws from the inside of the hood (Fig. 7).

13. Re-install the grease filters, connect the cooker hood to the electrical mains and check the perfect operation.

## Electrical connection

The electrical tension must correspond to the tension noted on the label placed inside the cooker hood. Connect the electrical plug, where provided, to the an easily accessible outlet in conformity with local standards in force.

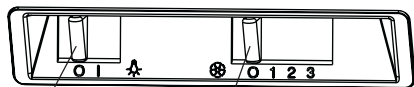
Where an electrical plug is not provided (for direct connection to electrical network) place a standards approved bipolar switch with an aperture distance of not less than 3mm (accessible) from the contacts.

## Description of the hood - Fig. 8

- 1 Control panel
- 2 Grease filter (1 or 2 depending on the model in possession)
- 3 Grease filter release handle
- 4 Lighting
- 5 Vapour screen (extractable), according to the model available, which may be in metal, glass or provided with grease filter.
- 6 Aesthetic mask (Available on the basis of the model in possession).
- 7 Spacer (Available on the basis of the model in possession).
- 8 Wall cabinet (not supplied, the cabinet illustration is included to explain the type of installation).

## Operation

### Description of control panel and hood operation



- a. on/off light switch  
b. on/off aspiration switch and power selection

Use the high suction speed in cases of concentrated kitchen vapours. It is recommended that the cooker hood suction is switched on for 5 minutes prior to cooking and to leave in operation during cooking and for another 15 minutes approximately after terminating cooking.

## Cleaning

**The cooker hood should be cleaned regularly internally and externally.**

For cleaning use a cloth moistened with denatured alcohol or neutral liquid detergents. Avoid abrasive detergents. Failure to carry out the basic standards of the cleaning of the cooker hood and replacement of the filters may cause fire risks.

**Cleaning the glass vapour screen (available only in some models)**

The glass is dismounted and cleaned using a normal glass detergent.

Instructions for removing the glass (Fig. 12):

1. Remove the grease filter.
2. Lightly push the glass downwards and allow it slide forwards.
3. Remove the glass allowing it to rotate slightly.

After cleaning, follow the instructions in reverse to remount the glass.

## Maintenance

Prior to any maintenance operation ensure that the cooker hood is disconnected from the power supply.

### Grease filter

This must be cleaned once a month using non aggressive detergents, either by hand or in the dish-washer, which must be set to a low temperature and a short cycle.

When washed in a dish-washer, the grease filter may discolour slightly, but this does not affect its filtering capacity. To remove the grease filter, pull the spring release handle (f) towards the opposite side of the cooker hood and extract the filter - (Fig. 9).

### Charcoal filter (filter version only)

It absorbs unpleasant odours caused by cooking.

Two carbon filters are required for cooker hoods with two motors and one filter for cooker hoods with one motor.

The carbon filter should be replaced every 4 months in cases of normal use, or more frequently for intensive use of the cooker hood.

The carbon filter may NOT be washed or regenerated. Place the carbon filter in order to cover the protection grill for the motor fan wheel, then turn the central handle **P** of the filter clockwise (Fig. 10).

To dismount the central handle **P** of the filter turn the handle anti-clockwise.

### Replacing lamps - Fig. 11

Firstly check that the lamps are well cooled prior to replacing them.

Access the lamp housing area:

remove the lamp holder using a small screwdriver or similar tool as a lever.

Replace the damaged light bulb.

Use only 40W max (E14) olive shape light bulbs.

Then close the lamp housing (snap lock).

**If the lights do not work, make sure that the lamps are fitted properly into their housings before you call for technical assistance.**


## Caution

This appliance is designed to be operated by adults. Children should not be allowed to tamper with the controls or play with the appliance.

Do not use the cooker hood where the grill is not correctly fixed! The suctioned air must not be conveyed in the same channel used for fumes discharged by appliances powered by other than electricity. The environment must always be adequately aerated when the cooker hood and other appliances powered by other than electricity are used at the same time. Flambé cooking with a cooker hood is prohibited. The use of a free flame is damaging to the filters and may cause fire accidents, therefore free flame cooking must be avoided. Frying of foods must be kept under close control in order to avoid overheated oil catching fire. Carry out fumes discharging in accordance with the regulations in force by local laws for safety and technical restrictions.

**GB-** This appliance is marked according to the European directive 2002/96/EC on Waste Electrical and Electronic Equipment (WEEE). By ensuring this product is disposed of correctly, you will help prevent potential negative consequences for the environment and human health, which could otherwise be caused by inappropriate waste handling of this product.



The symbol  on the product, or on the documents accompanying the product, indicates that this appliance may not be treated as household waste. Instead it shall be handed over to the applicable collection point for the recycling of electrical and electronic equipment. Disposal must be carried out in accordance with local environmental regulations for waste disposal.

For more detailed information about treatment, recovery and recycling of this product, please contact your local city office, your household waste disposal service or the shop where you purchased the product.