

DE'LONGHI

COOKING

**INSTALLATION and SERVICE INSTRUCTIONS
USE and CARE INSTRUCTIONS**

**DE605MS
DE605MW
FAN ASSISTED BUILT-IN OVENS**

distributed by
**DeLonghi Australia Pty Ltd
DeLonghi New Zealand Ltd**



Dear Customer,

Thank you for having purchased and given your preference to our product.

The safety precautions and recommendations reported below are for your own safety and that of others. They will also provide a means by which to make full use of the features offered by your appliance.

Please keep this booklet in a safe place. It may be useful in future, either to yourself or to others in the event that doubts should arise relating to its operation.

This appliance must be used only for the task it has explicitly been designed for, that is for cooking foodstuffs. Any other form of usage is to be considered as inappropriate and therefore dangerous.

The manufacturer declines all responsibility in the event of damage caused by improper, incorrect or illogical use of the appliance or be faulty installation.



This appliance has been designed and constructed in accordance with the following codes and specifications:

- AS/NZS 60335.1 General Requirements for Domestic electrical appliances
- AS/NZS 60335.2.6 Particular Requirements for Domestic electrical cooking appliances
- AS/NZS CISPR 14.1 Electromagnetic Compatibility Requirements.

PRODUCT LABEL



Important:

This appliance is designed and manufactured solely for the cooking of domestic (household) food and is not suitable for any non domestic application and therefore should not be used in a commercial environment.

The appliance guarantee will be void if the appliance is used within a non domestic environment i.e. a semi commercial, commercial or communal environment.

FIRST USE OF THE OVEN

It is advised to follow these instructions:

- Furnish the interior of the oven as described at chapters “USE AND CARE” and “CLEANING AND MAINTENANCE”.
- Switch on the empty oven on max to eliminate grease from the heating elements.
- Let the oven cool down and clean the interior of the oven with a cloth soaked in water and neutral detergent, then dry carefully.

IMPORTANT PRECAUTIONS AND RECOMMENDATIONS FOR USE OF ELECTRICAL APPLIANCES

Use of any electrical appliance implies the necessity to follow a series of fundamental rules. In particular:

- Never touch the appliance with wet hands or feet.
- Do not operate the appliance barefooted.
- The appliance is not intended for use by young children or infirm persons without supervision.
- Young children should be supervised to ensure they do not play with the appliance.

The manufacturer cannot be held responsible for any damages caused by improper, incorrect or illogical use of the appliance.

IMPORTANT PRECAUTIONS AND RECOMMENDATIONS

After having unpacked the appliance, check to ensure that it is not damaged and that the oven door closes correctly. In case of doubt, do not use it and consult your supplier or a professionally qualified technician.

Packing elements (i.e. plastic bags, polystyrene foam, nails, packing straps, etc.) should not be left around within easy reach of children, as these may cause serious injuries.

- Some appliances are supplied with a protective film on steel and aluminium parts. This film must be removed before using the appliance.
- Do not attempt to modify the technical characteristics of the appliance as this may become dangerous to use.
- Do not carry out cleaning or maintenance operations on the appliance without having previously disconnected it from the electric power supply.
- After use, ensure that the knobs are in the off position.
- Keep children away from the appliance when it is in use.
- **WARNING:** Accessible parts will become hot when in use. To avoid burns and scalds, young children should be kept away.
- Young children should be supervised to ensure that they do not play with the appliance.
- Children, or persons with a disability which limits their ability to use the appliance, should have a responsible person to instruct them in its use. The instructor should be satisfied that they can use the appliance without danger to themselves or their surroundings.
- During and after use of the appliance, certain parts will become very hot. Do not touch hot parts. Care should be taken to avoid touching heating elements inside the oven.
- Make sure that electrical cables connecting other appliances in the proximity of the oven cannot become entrapped in the oven door.
- **WARNING:** When correctly installed, your product meets all safety requirements laid down for this type of product category.

However special care should be taken around the rear or the underneath of the appliance as these areas are not designed or intended to be touched and may contain sharp or rough edges, that may cause injury.

- Do not line the oven walls with aluminium foil. Do not place baking trays or the drip tray on the base of the oven chamber.
- **Fire risk!** Do not store flammable material in the oven.
- Always use oven gloves when removing the shelves and food trays from the oven whilst hot.
- Do not hang towels, dishcloths or other items on the appliance or its handle – as this could be a fire hazard.
- Clean the oven regularly and do not allow fat or oils to build up in the oven base or tray. Remove spillages as soon as they occur.
- Do not stand on the open oven door.
- Always stand back from the appliance when opening the oven door to allow steam and hot air to escape before removing the food.
- **Safe food handling:** Leave food in the oven for as short a time as possible before and after cooking. This is to avoid contamination by organisms which may cause food poisoning. Take particular care during warmer weather.
- The manufacturer declines all liability for injury to persons or damage to property caused by incorrect or improper use of the appliance.
- **WARNING: Taking care NOT to lift the oven by the door handle.**
- **IMPORTANT NOTE: This appliance shall not be used as a space heater, especially if installed in marine craft or caravans.**
- Do not operate your appliance by means of an external timer or separate remote-control system.
- **This appliance is for domestic use only.**

INSTALLATION

CAUTION:

- This appliance must be installed in accordance with these installation instructions.
- This appliance shall only be serviced by authorised personnel.
- This appliance is to be installed only by an authorised person in compliance with the current electrical regulations and in observation of the instructions supplied by the manufacturer.
Failure to comply with this condition will render the guarantee invalid.
- Incorrect installation, for which the manufacturer accepts no responsibility, may cause personal injury or damage.
- Always disconnect the appliance from mains power supply before carrying out any maintenance operations or repairs.

FITTING REQUIREMENTS

- The oven can be fitted in standard units, 60 cm width and depth.
- Installation requires a compartment as illustrated in figures 1a and 2a.
- **Fitting the oven into a base:** Arrangements should be made for an adequate supply of the air to the oven to avoid overheating (fig. 1b).
- **Fitting the oven into a column:** It is necessary that the oven is provided with a chimney as per fig. 2b. If the column unit reaches the ceiling an outlet must be provided through which air can flow to the outside
- On the lower side, the oven must lay on supports standing the oven weight.
- Remember the housing should not be free standing but be secured to the wall and/or adjacent fittings.
- **We would point out that the adhesive which bonds the plastic laminate to the furniture must withstand temperatures not less than 150° C to avoid delamination.**
- **The walls of the units must be capable of resisting temperatures of 75 °C above room temperature.**
- **Do not seal the oven into the cabinetry with silicone or glue; this makes future servicing difficult. Delonghi will not cover the costs of removing the oven, or of damage caused by this removal.**
- **The walls surrounding the oven must be made of heat-resistant material.**
- **WARNING: Taking care NOT to lift the oven by the door handle.**

WARNING

When correctly installed, your product meets all safety requirements laid down for this type of product category.

However special care should be taken around the rear or the underneath of the appliance as these areas are not designed or intended to be touched and may contain sharp or rough edges, that may cause injury.

IMPORTANT

Some environmental factors and cooking habits can cause condensation in and around the oven during use. To protect surrounding cabinetry from possible damage caused by frequent or excessive condensation, we recommend moisture-proofing the oven cavity.

Figure 1a

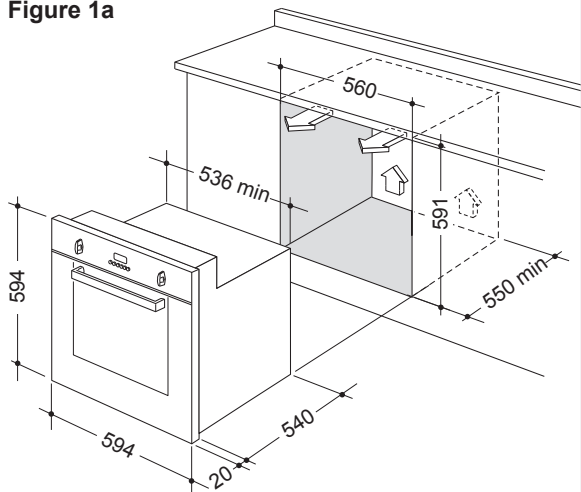


Figure 1b

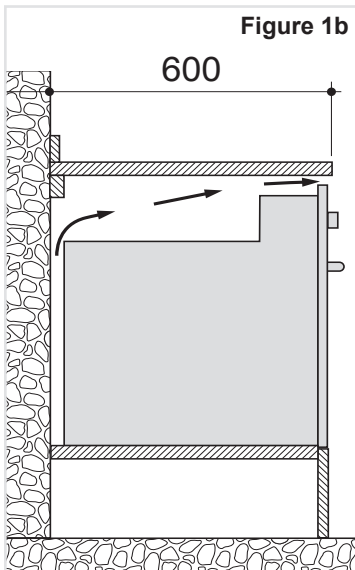


Figure 2a

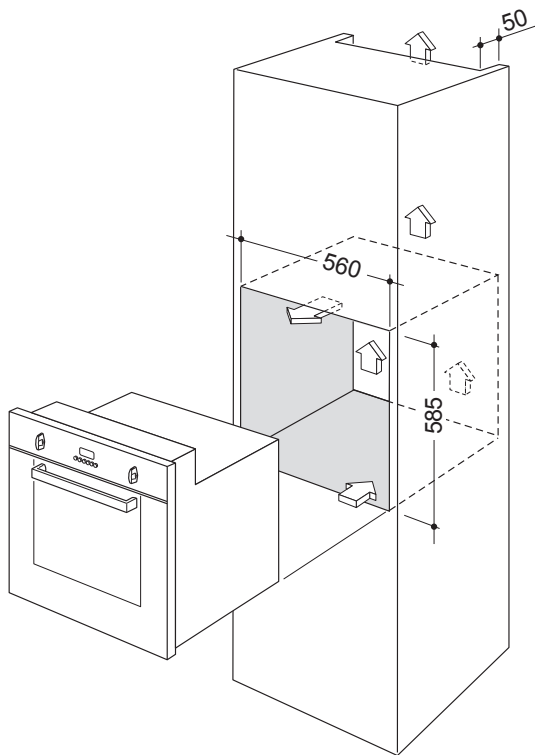
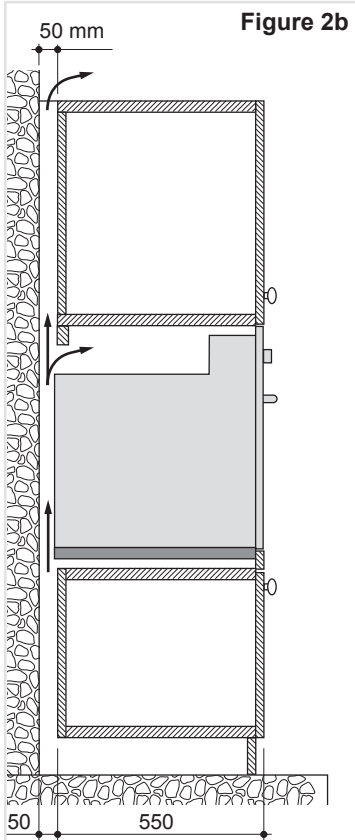


Figure 2b



FIXING THE OVEN

Introduce the oven into the furniture opening and fix it with 4 screws (not supplied) as figure 3. It is essential that the oven rests on a surface which will support its weight, as the screw fixing is only complementary.

Note

It is essential that when installing your oven adequate air circulation is allowed for within the installation. See figures 1a, 1b, 2a, 2b.

Inadequate air circulation may greatly impair the performance of your oven and may effect adjacent cabinets due to an increase in temperature.

Caution!

Do not lift this oven by the door handle.

Adjust the hinges of furniture doors adjacent to the oven to allow a 4-5 mm gap between the furniture door and the oven frame.

Figure 3

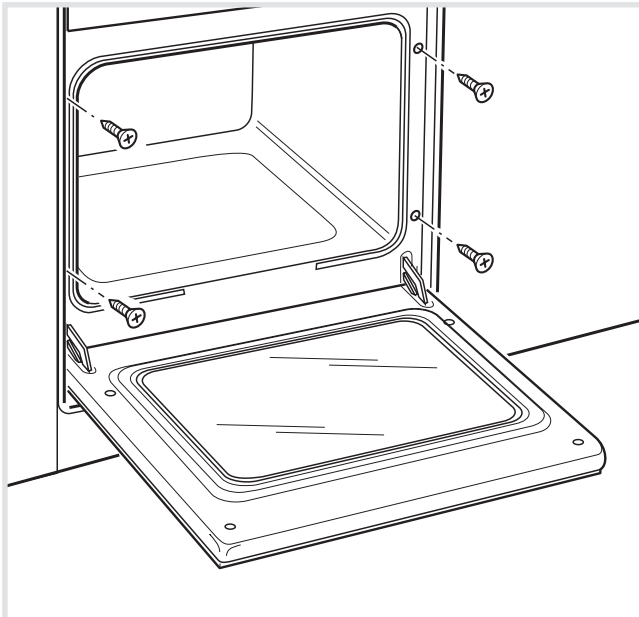
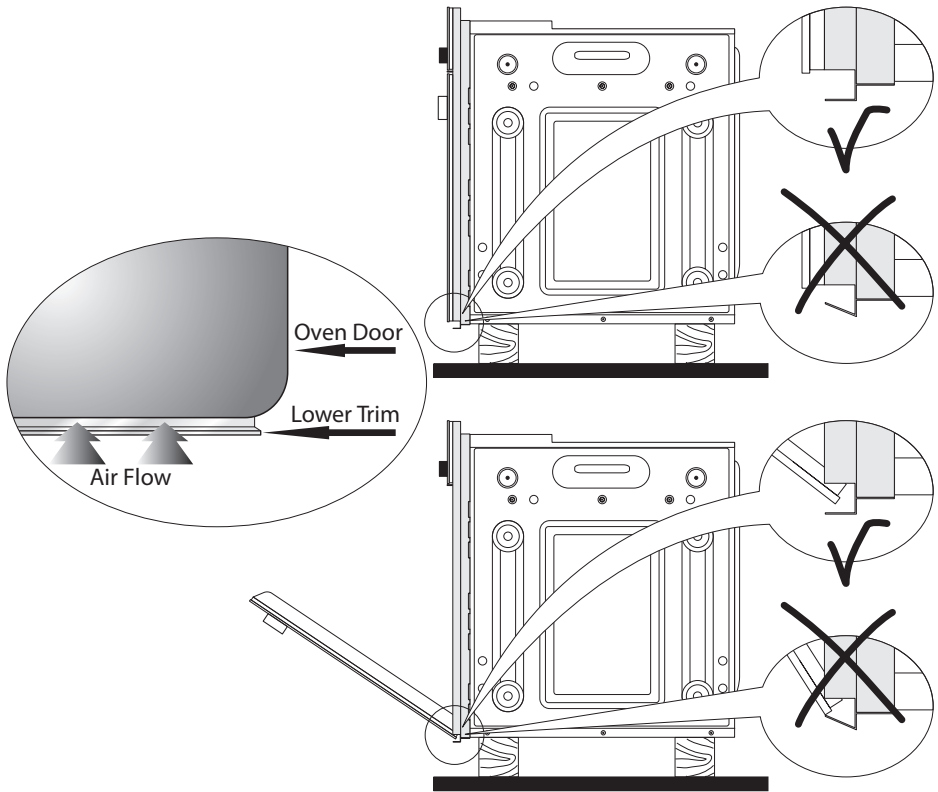


Figure 4



IMPORTANT:

Please take extra care not to damage the lower trim of the oven.

Ensure the oven sits on wooden blocks or similar supports when it is removed from the carton as shown in above diagram. This will prevent any damage to the lower trim.

Should the lower trim become damaged, straighten the trim and ensure the oven door opens fully without obstruction from the lower trim.

After installation check the lower trim is still undamaged.

The space between the bottom of the door & the lower trim is important to allow proper air circulation into the oven.

The oven door should be opened slowly to it's fully open position ensuring there is adequate clearance between the bottom of the door and the lower trim.

The manufacturer does not accept responsibility for any damage to the oven resulting from incorrect installation.

ELECTRICAL REQUIREMENTS

- The appliance must be connected to the mains checking that the voltage corresponds to the value given in the rating plate and that the electrical cable sections can withstand the load specified on the plate.
- A suitable isolating switch providing full disconnection from the mains power supply shall be incorporated in the permanent wiring, mounted and positioned to comply with the local wiring rules and regulations. The isolating switch must be of an approved type and provide a 3 mm air gap contact separation in all poles (or in all active [phase] conductors if the local wiring rules allow for this variation of the requirements).
- The isolating switch shall be easily accessible to the customer with the oven installed.
- The power supply cable must not touch the hot parts and must be positioned so that it does not exceed 75°C above ambient.
- The oven is supplied without a power supply plug and therefore if you are not connecting directly to the mains, a standardized plug suitable for the load must be fitted.
- The plug must be connected to an earthed socket in compliance with safety standards.
- To connect the appliance to the mains electricity supply, do not use adapters, reducers or branching devices as they can cause overheating and burning.
- Once the appliance has been installed, the switch or socket must always be accessible.
- If the supply cord is damaged it must be replaced by the manufacturer or it's Service Agent or a similarly qualified person in order to avoid a hazard.

N.B. The connection of the appliance to earth is mandatory.

If the installation requires alterations to the domestic electrical system call a qualified electrician. He should also check that the domestic electrical system is suitable for the power drawn by the appliance.

Replacing the power cord must be done by a qualified electrician in accordance with the instructions supplied by the manufacturer and in compliance with established electrical regulations.

REPLACING THE POWER SUPPLY CABLE

Important! This appliance must be connected to the electricity supply only by an authorised person.

To connect the supply cable:

- Unhook the terminal board cover by inserting a screwdriver into the two hooks "A" (fig. 5).
- Open the cable gland by unscrewing screw "F" (fig. 6), unscrew the terminal screws and remove the cable.
- The new supply cable, of suitable type and section, is connected to the terminal board following the diagram fig. 7.
- Close and hook again the terminal board cover.

N.B. The earth conductor must be left about 3 cm longer than the others.

VOLTAGE AND POWER CONSUMPTION

220-240 V ac

2250 W (9.78 A)

FEEDER CABLE SECTION TYPE H05RR-F

3 x 1,5 mm² (*) (**)

(*) Connection possible with plug and outlet

(**) Connection with wall box connection.

Figure 5

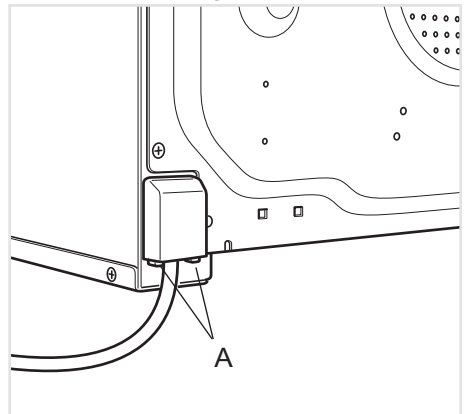


Figure 6

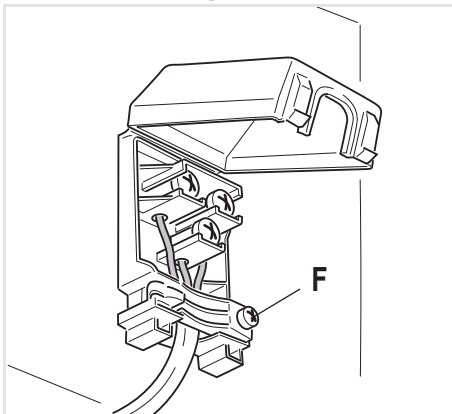
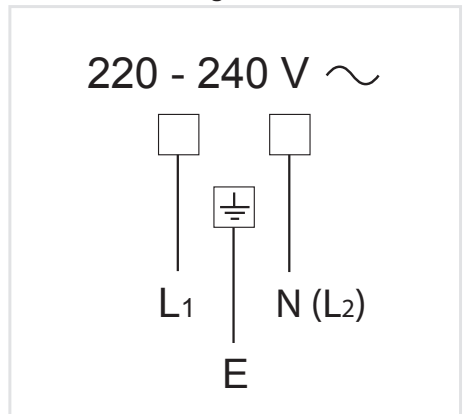
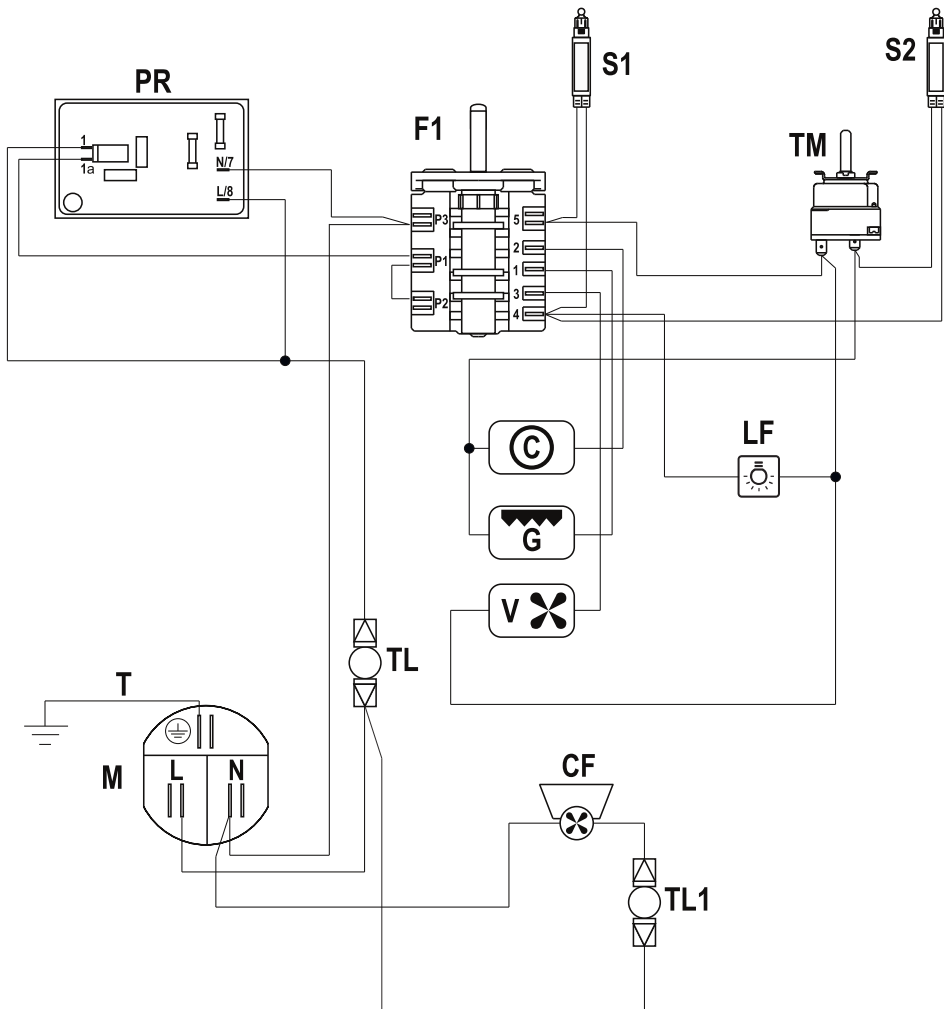


Figure 7



ELECTRIC DIAGRAM

Figure 8



ELECTRIC DIAGRAM KEY

F1	Oven switch
TM	Oven thermostat
LF	Oven lamp
PR	Oven programmer
CF	Cooling fan motor
V	Oven fan motor
G	Oven grill element
C	Oven circular element
TL	Thermal overload
TL1	Cooling fan motor thermal overload
S1	Line pilot lamp
S2	Thermostat pilot lamp
M	Terminal block
T	Earth connection

USE AND CARE

CAUTION:

- This appliance must be used only for the task it has explicitly been designed for, that is for domestic cooking of foodstuffs. Any other form of usage is to be considered as inappropriate and therefore dangerous.
- Do NOT place combustible materials or products on this appliance at any time.



USING THE OVEN FOR THE FIRST TIME

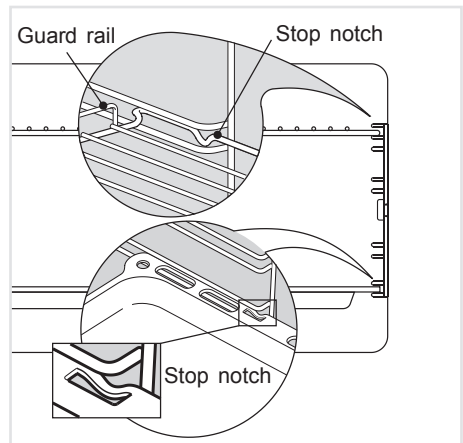
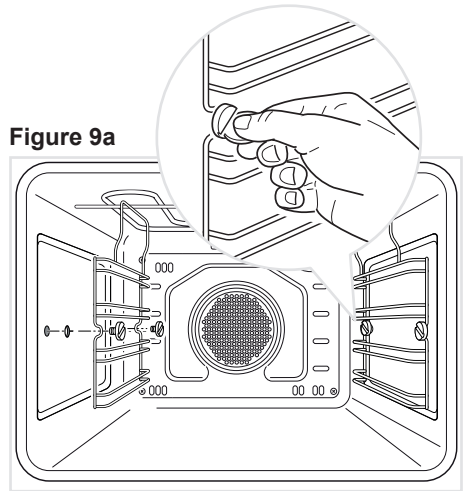
Operate as follows:

- Assemble the wire racks on the oven walls using the 2 screws (fig. 9a).
NOTE: they also provide support to the grill heating element.
- Slide in the grease filter on the back of the oven as in fig. 10.
- Slide into the guides, the shelf and the tray (fig. 9b).

The rack must be fitted so that the safety notch, which stops it sliding out, faces the inside of the oven; the guard rail shall be at the back.

The tray must be fitted so that the safety notch, which stops it sliding out, faces the inside of the oven.

- To eliminate traces of grease in manufacture it is necessary to preheat the oven at the maximum temperature:
 - For 60 minutes in the  position and for another 15 minutes in the  position.
- Unscrew the fixing screws and slide off the wire racks to the oven wall as in fig. 9a.
The grill is secured to the rear wall of the oven on a hinge system that allows it to be lowered to allow proper access when cleaning the oven ceiling (see next chapter TILTING GRILL).
- Let the oven cool down, switch off the electrical supply, then clean the inside of the oven with a cloth soaked in water and neutral detergent and dry thoroughly.

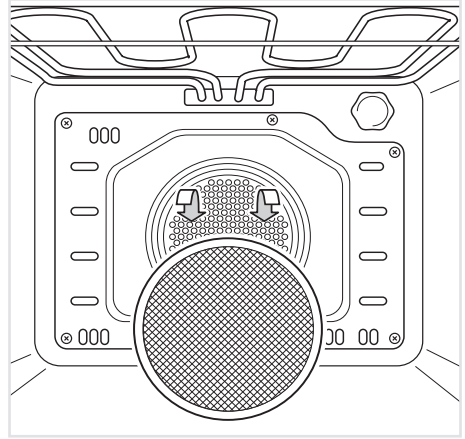


GREASE FILTER

- A special screen is provided at the back of the oven to catch grease particles, mainly when meat is being roasted (fig. 10).
- Clean the filter after any cooking!
The grease filter can be removed for cleaning and should be washed regularly in hot soapy water (fig. 10).
- Always dry the filter properly before fitting it back into the oven.

CAUTION: When baking pastry etc. this filter should be removed.

Figure 10



TILTING GRILL

- The grill is secured to the rear wall of the oven on a hinge system that allows it to be lowered to allow proper access when cleaning the oven ceiling (fig. 11). The grill is held in place by the side wire racks.
- To lower the grill element: unscrew the fixing screws and slide off the wire racks to the oven wall as in fig. 9a.
- When you have finished cleaning the oven ceiling, raise the grill element and assemble the wire racks on the oven walls using the 2 screws (fig. 9a). Make sure that the element is held securely in place.
- The grill element itself is self-cleaning.

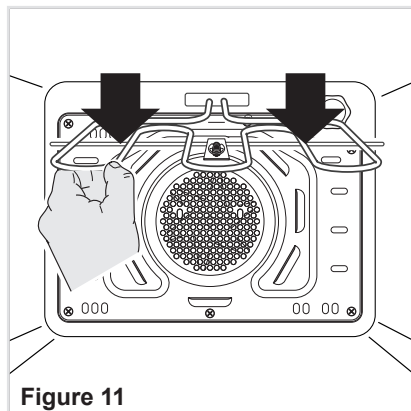
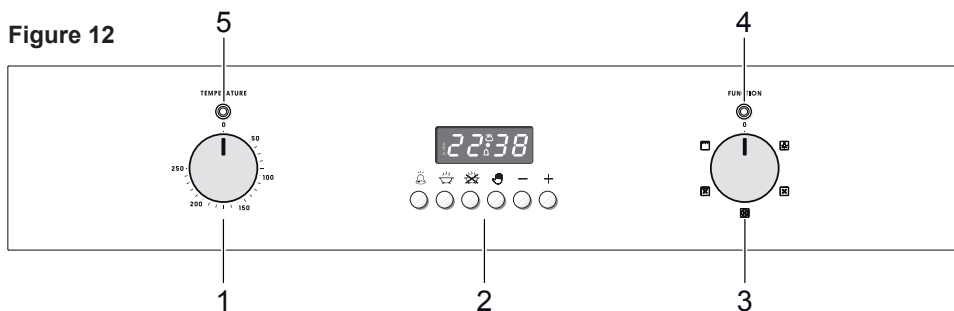


Figure 11

CONTROL PANEL

Figure 12



Controls description

1. Oven temperature control knob
2. Digital electronic programmer
3. Function selector control knob

Pilot lamps

4. Power on indicator light
5. Oven temperature indicator light

Please note:

Your appliance has been fitted with a cooling fan to achieve optimum efficiency of the controls and to ensure lower surface temperatures are maintained.

The cooling fan motor switches ON/OFF depending on temperature.

Depending on cooking temperatures and times, the cooling fan may run on even after the appliance oven has been switched off.

The duration of this time is dependent on previous cooking temperature and duration.

COOKING WITH FAN OVEN

Attention: The oven door becomes very hot during operation. Keep children away.

GENERAL FEATURES

No. 3 different thermostatic control functions are available to satisfy all cooking requirements, provided by 2 heating elements which are:

- Circular element 2200 W (@230V)
- Grill element 2000 W (@230V)

OPERATING PRINCIPLES

Heating and cooking in the fan oven are obtained in the following ways:

a. by forced convection

A fan sucks in the air contained in the oven muffle, which sends it through the circular heating element and then sends it back through the muffle.

Before the hot air is sucked back again by the fan to repeat the described cycle, it envelops the food in the oven, provoking a complete and rapid cooking. It is possible to cook several dishes simultaneously.

b. by radiation

The heat is irradiated by the infra red grill element.

c. by radiation and ventilation

The irradiated heat from the infra red grill element is distributed throughout the oven by the fan.

d. by ventilation

The food is defrosted by using the fan only function without heat.

WARNING:

The door is hot, use the handle.

During use the appliance becomes hot. Care should be taken to avoid touching heating elements inside the oven.

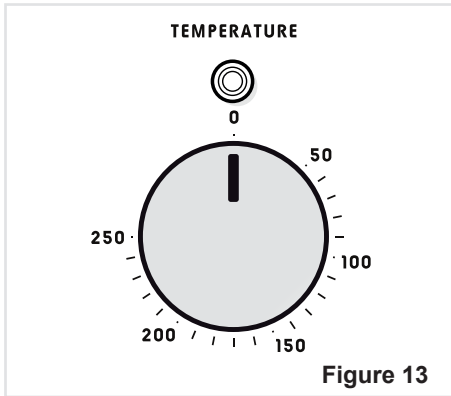


Figure 13

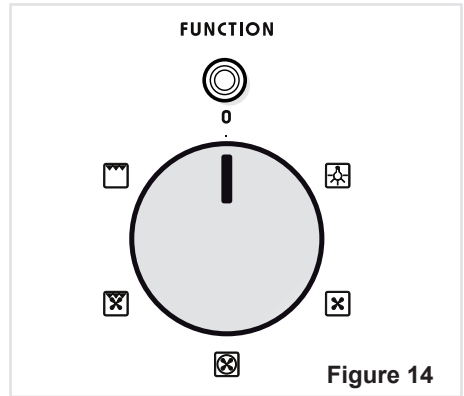


Figure 14

THERMOSTAT KNOB

To turn on the heating elements of the oven, set function selector knob to the required position and the thermostat knob to the desired temperature.

To set the temperature, turn the thermostat control knob indicator mark to the required temperature.

The elements will turn on or off automatically which is determined by the thermostat.

The operation of the heating elements is signalled by a light placed close to the knob.

FUNCTION SELECTOR KNOB

Rotate the knob clockwise to set the oven for one of the following functions.



OVEN LIGHT

By turning the knob onto this setting we light the oven cavity.

The oven remains alight while any of the functions is on.



DEFROSTING FROZEN FOODS

Only the oven fan is on. To be used with the thermostat knob on "0" because the other positions have no effect. The defrosting is done by simple ventilation without heat.

Recommended for:

To rapidly defrost frozen foods; 1 kilogram requires about one hour.

The defrosting times vary according to the quantity and type of foods to be defrosted.



HOT AIR COOKING

The circular element and the fan are on. The heat is diffused by forced convection and the temperature must be regulated between 50°C and the maximum position with the thermostat knob. It is not necessary to preheat the oven.

Recommended for:

For foods that must be well done on the outside and tender or rare on the inside, i.e. lasagna, lamb, roast beef, whole fish, etc.



VENTILATED GRILL COOKING

The infra-red grill and the fan are on. The heat is mainly diffused by radiation and the fan then distributes it throughout the oven.

Use with the oven door closed and the thermostat knob must be regulated **between 50°C and 200°C maximum**.

It is necessary to preheat the oven for about 5 minutes.

For correct use see chapter "GRILLING AND AU GRATIN".

Always grill with the oven door closed.

Recommended for:

For grill cooking when a fast outside browning is necessary to keep the juices in, i. e. veal steak, steak, hamburger, etc.



GRILLING

The infra-red heating element is switched on.

The heat is diffused by radiation.

Use with the oven door closed and the thermostat knob must be regulated **between 50°C and 200°C maximum**.

For correct use see chapter "USE OF THE GRILL".

Always grill with the oven door closed.

Recommended for:

Intense grilling, browning, cooking au gratin and toasting etc.

COOKING ADVICE

The external parts of the appliance become hot during operation.

Keep children well out of reach.

OVEN COOKING


Before introducing the food, preheat the oven to the desired temperature.

For a correct preheating operation, it is advisable to remove the tray from the oven and introduce it together with the food, when the oven has reached the desired temperature.

Check the cooking time and turn off the oven 5 minutes before the theoretical time to recuperate the stored heat.


STERILIZATION

Sterilization of foods to be conserved, in full and hermetically sealed jars, is done in the following way:


- Set the switch to position .
- Set the thermostat knob to position 185°C and preheat the oven.
- Fill the dripping pan with hot water.
- Set the jars onto the dripping pan making sure they do not touch each other and the door and set the thermostat knob to position 135°C.

When sterilization has begun, that is, when the contents of the jars start to bubble, turn off the oven and let cool.

REGENERATION

Set the switch to position  and the thermostat knob to position 150°C. Bread becomes fragrant again if wet with a few drops of water and put into the oven for about 10 minutes at the highest temperature.

SIMULTANEOUS COOKING OF DIFFERENT FOODS

The oven set on position  gives simultaneous heterogeneous cooking of different foods. Different foods such as fish, cake and meat can be cooked together without mixing the smells and flavours.

This is possible since the fats and vapors are oxidized while passing through the electrical element and therefore are not deposited onto the foods.

The only precautions to follow are:

- The cooking temperatures of the different foods must be as close to as possible, with a maximum difference of 20- 25°C.
- The introduction of the different dishes in the oven must be done at different times in relation to the cooking times of each one.

The time and energy saved with this type of cooking is obvious.

ROASTING

To obtain classical roasting, it is necessary to remember:

- that it is advisable to maintain a temperature between 180 and 200°C.
- that the cooking time depends on the quantity and the type of foods.

USE OF THE GRILL

Preheat the oven for about 5 minutes.


Introduce the food to be cooked, positioning the rack as close to the grill as possible. The dripping pan should be placed under the rack to catch the cooking juices and fats.

Grilling with the oven door closed.

Do not grill for longer than 30 minutes at any one time.

ATTENTION: the oven door becomes very hot during operation. Keep children away.

GRILLING AND COOKING “AU GRATIN”

Grilling may be done using the grill+fan setting , in this setting the hot air completely surrounds the food that is to be cooked, to give a more even and rapid cooking process.

Set the temperature knob **between 50°C and 200°C maximum**, preheat the oven, then simply place the food on the grid.

Close the door until grilling is complete.

Adding a few dabs of butter before the end of the cooking time gives the golden “au gratin” effect.

Grilling with the oven door closed.

Do not grill for longer than 30 minutes at any one time.

ATTENTION: the oven door becomes very hot during operation. Keep children away.

RECOMMENDED COOKING TEMPERATURE

Food	°C	°F	Gas Mark	Shelf Position*	Cooking Time (approx)
CAKES					
Victoria sandwich	190	375	5	2 or 3	20-25 mins
Small cakes/buns	190	375	5	1 and 2	15-20 mins
Maidera cake	180	350	4	2 or 3	20 mins
Fruit cake	170	325	3	3	1 ^{3/4} hours
Rich fruit cake	150	300	2	3 or 4	2 ^{1/2} hours
Scones	225	425	8 - 9	2	8-10 mins
PASTRY					
Puff	225	425	8 - 9	2	10-20 mins
Short crust	200	400	6	2	20-30 mins
Plate tarts	200 - 210	400 - 410	6	1 or 2	30-35 mins
Quiches and flans	200 - 210	400 - 410	6	1 or 2	40-45 mins
YEAST					
Bread loaf	225	425	7 - 8	2	35-55 mins
Bread rolls	220	425	7	1 or 2	15-20 mins
Pizza dough	230	450	8	2	20 mins
ROAST MEAT					
Beef – Medium	190	375	5	2 or 3	20 mins/lb + 20 mins
Lamb	190	375	5	2 or 3	25-30 mins/b + 25 mins
Pork	190 - 200	375 - 400	5 - 7	2 or 3	30 mins/lb + 30 mins
Veal	190	375	5	2 or 3	30 mins/b + 30 mins
Chicken	190	375	5	2 or 3	30 mins/b + 30 mins
Turkey up to 10lb	180	350	4	2 or 3	18-20 mins/b + 20 mins
Stews/casseroles	150 - 170	300 - 325	2 - 3	2 or 3	1 ^{1/2} 2 hours

N.B. For fan ovens reduce the temperature by 10-20°C. For any dish taking one hour or over to cook, reduce the cooking time by 10 minutes per hour.







* Shelf positions have been counted from the top of the oven to the base. A fan oven creates more even temperature throughout, therefore the shelf positions are not as critical.

DIGITAL ELECTRONIC PROGRAMMER

The electronic programmer is a device which groups together the following functions:

- 24 hours clock with illuminated display.
- Timer (up to 23 hours and 59 minutes).
- Program for automatic oven cooking.
- Program for semi-automatic oven cooking.

Description of the buttons:

-  Timer
-  Cooking time
-  End of cooking time
-  Manual position and cancellation of the inserted cooking program
-  To increase the numbers on the digital display
-  To decrease the numbers on the digital display.


Description of the illuminated symbols:

AUTO - flashing - Programmer in automatic position but not programmed

AUTO - illuminated - Programmer in automatic position with program inserted.

 Automatic cooking taking place

 Timer in operation

 and **AUTO** - flashing - Program error.
(The time of day lies between the calculated cooking start and end time).

Note:

Select a function by the respective button and, in 5 seconds, set the required time with the \oplus / \ominus buttons ("one-hand" operation).

After a power cut the display resets to zero and cancels the set programs.

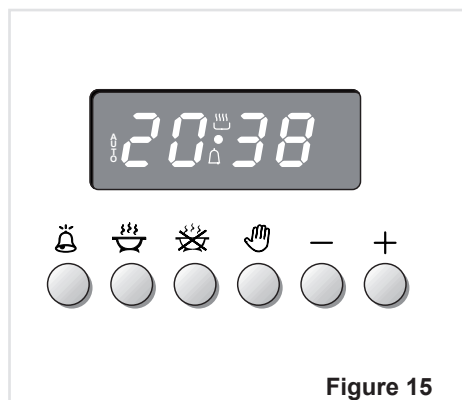


Figure 15

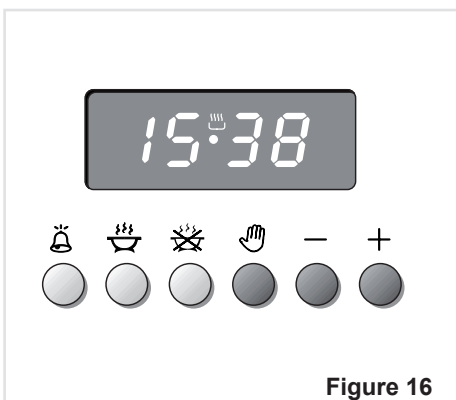

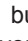





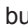

Figure 16

ELECTRONIC CLOCK (fig. 16)

The programmer is equipped with an electronic clock with illuminated numbers which indicates hours and minutes.



Upon immediate connection of the oven or after a power cut, three zeros will flash on the programmer display.


To set the correct time of day it is necessary to push the  button and then the  or  button until you have set the correct time (fig. 16).

In another way push simultaneously the   two buttons and at the same time push the  or  button.

Note: If the clock is reset it deletes any previously set programs

NORMAL COOKING WITHOUT THE USE OF THE PROGRAMMER


To manually use the oven, without the aid of the programmer, it is necessary to cancel the flashing **AUTO** by pushing the  button (**AUTO** will be switched off and the symbol  will illuminate - Fig. 17).




Attention: If the **AUTO** is illuminated (which means a cooking program has already been inserted), by pushing the button  you cancel the program and return to manual operation.


If the oven is switched on, you must switch off manually.


ELECTRONIC TIMER




The timer program consists only of a buzzer which may be set for a maximum period of 23 hours and 59 minutes.

If the **AUTO** symbol is flashing push the  button.


To set the time, push the  button and the  or  until you obtain the desired time in the display (fig. 18).

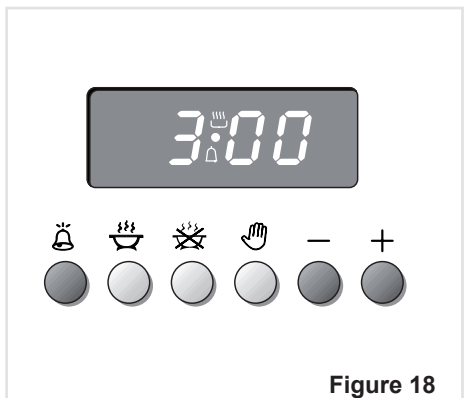
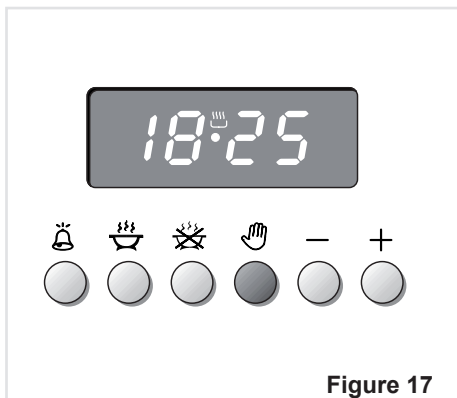
Having finished the setting, the clock hour will appear on the panel and the  symbol will be illuminated.

The countdown will start immediately and may be seen at any moment on the panel by simply pressing the button .

At the end of the time, the  symbol will disappear and the buzzer will sound and continue for approximately 7 minutes or until a button is pressed (not the  /  buttons). After a short time the display will revert back to the time of day.

SETTING THE FREQUENCY OF THE AUDIBLE SIGNAL

The buzzer has 3 different tones and can be changed by pressing the  button, but only when the time of day is displayed




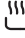






AUTOMATIC OVEN COOKING

To cook food automatically in the oven, it is necessary to:

1. Set the length of the cooking period.
2. Set the end of the cooking time.
3. Set the temperature and the oven cooking program.

These operations are done in the following way:

1. Set the length of the cooking period by pushing the  button and the  button to increase, or  to decrease if you have passed the desired time (fig. 19). The **AUTO** and the  symbol will illuminate.
2. Set the end of the cooking time by pressing the  button (the cooking time already added to the clock time will appear), and the  button (fig. 20); if you pass the desired time you may get back by pushing the  button.

After this setting, the  symbol will disappear. If after this setting, the **AUTO** flashes on the display and a buzzer sounds, it means there was an error in the programming, that is that the cooking cycle has been superimposed on the clock. In this case, modify the end of cooking time or the cooking period itself by following again the above mentioned instructions.

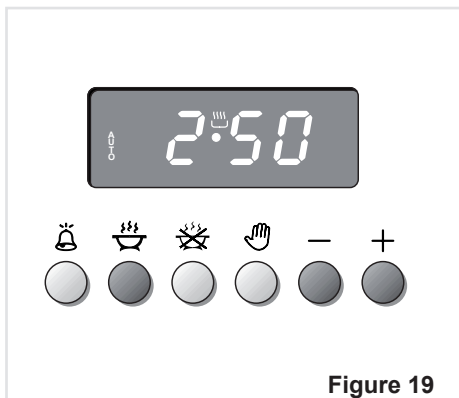





Figure 19




3. Set the temperature and the cooking program by using the switch and thermostat knobs of the oven (see specific chapters).


Now the oven is programmed and everything will work automatically, that is the oven will turn on at the right moment to end the cooking at the established hour.

During cooking, the  symbol remains illuminated.

By pushing the  button you can see the time that remains until the end of cooking.

The cooking program may be cancelled at any time by pushing .

At the end of the cooking time the oven will turn off automatically, the  symbol will turn off, **AUTO** will flash and a buzzer will be sound, which can be turned off by pushing any of the buttons except the  /  buttons.

Turn the switch and thermostat knobs to zero and put the programmer onto “manual” by pressing the .

Attention: After a power cut the clock resets to zero and cancels the set programs. After a power cut, three zeros will flash on the display.

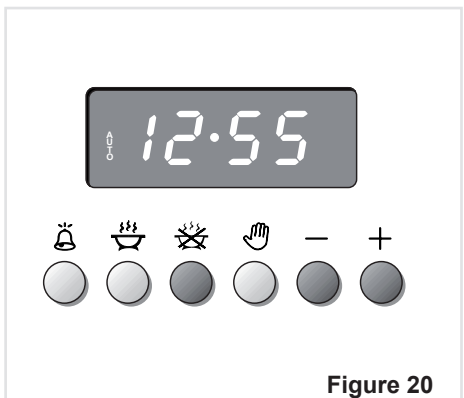





Figure 20




SEMI-AUTOMATIC COOKING

This is used to automatically switch off the oven after the desired cooking time has elapsed.

There are two ways to set your oven:

1. Set the length of the cooking time by pushing the  button and the  button to advance, or  to go backwards if you have passed the desired time (Fig. 21).



or


2. Set the end of the cooking time by pushing the  button and the  button to advance, or  to go backwards if you have passed the desired time (Fig. 22).




AUTO and the  symbol will be on.


Then set the temperature and the cooking programme using the oven switch and thermostat knobs (see specific chapters).

The oven is switched on and it will be switched off automatically at the end of the desired time.

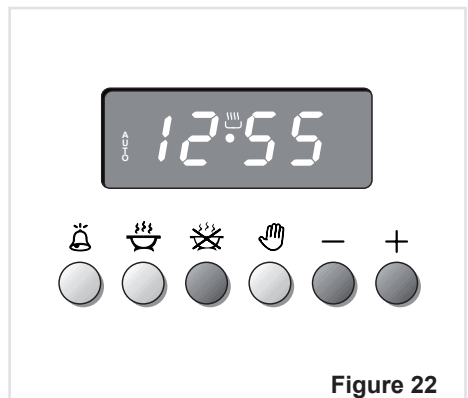
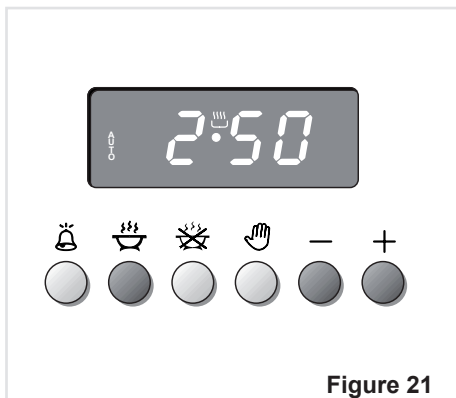
During cooking, the  symbol remains on and by pressing the button  you can see the time that remains till the end of the cooking.

The cooking program may be cancelled at any time by pushing  .

At the end of the cooking time the oven will turn off automatically, the  symbol will turn off, **AUTO** will flash and a buzzer will be sound, which can be turned off by pushing any of the buttons except the  /  buttons.

Turn the switch and thermostat knobs to zero and put the programmer onto “manual” by pressing the .

Attention: After a power cut the clock resets to zero and cancels the set programs. After a power cut, three zeros will flash on the display.



CLEANING AND MAINTENANCE

GENERAL ADVICE

- **Before you begin cleaning, you must ensure that the appliance is switched off and disconnected from the electrical power supply.**
- It is advisable to clean when the appliance is cold and especially when cleaning the enamelled parts.
- Avoid leaving alkaline or acidic substances (lemon juice, vinegar, etc.) on the surfaces.
- Avoid using cleaning products with a chlorine or acidic base.
- **Do not use a steam cleaner because the moisture can get into the appliance thus make it unsafe.**
- **Important: The use of suitable protective clothing/gloves is recommended when handling or cleaning of this appliance.**
- **Do not use harsh abrasive cleaners or sharp metal scrapers to clean the oven door glass since they can scratch the surface, which may result in shattering of the glass.**

WARNING!

When correctly installed, your product meets all safety requirements laid down for this type of product category. However special care should be taken around the rear or the underneath of the appliance as these areas are not designed or intended to be touched and may contain sharp or rough edges, that may cause injury.

ENAMELLED PARTS

All the enamelled parts must be cleaned with a sponge and soapy water or other non-abrasive products.

Dry preferably with a microfibre or soft cloth.

Acidic substances like lemon juice, tomato sauce, vinegar etc. can damage the enamel if left too long.

STAINLESS STEEL, ALUMINIUM PARTS, PAINTED AND SILK-SCREEN PRINTED SURFACES

Clean using an appropriate product.

Always dry thoroughly.

IMPORTANT: these parts must be cleaned very carefully to avoid scratching and abrasion. You are advised to use a soft cloth and neutral soap.

CAUTION: Do not use abrasive substances or non-neutral detergents as these will irreparably damage the surface.

INSIDE OF OVEN

The oven should always be cleaned after use when it has cooled down.

The cavity should be cleaned using a mild detergent solution and warm water.

Suitable proprietary chemical cleaners may be used after first consulting with the manufacturers recommendations and testing a small sample of the oven cavity.

Abrasive cleaning agents or scouring pads/cloths should not be used on the cavity surface.

NOTE: The manufacturers of this appliance will accept no responsibility for damage caused by chemical or abrasive cleaning.



Do not store flammable material in the oven.

Let the oven cool down and pay special attention no to touch the hot heating elements inside the oven cavity.

GRILL HEATING ELEMENT

- The heating element is self-cleaning and does not require maintenance. The grill is secured to the rear wall of the oven on a hinge system that allows it to be lowered to allow proper access when cleaning the oven ceiling (fig. 11 at page 15).

GREASE FILTER

- Clean the filter after any cooking! The grease filter can be removed for cleaning and should be washed regularly in hot soapy water (fig. 10 at page 15).
- Always dry the filter properly before fitting it back into the oven.

REPLACING THE HALOGEN OVEN LIGHT

WARNING: Ensure the appliance is switched off before replacing the lamp to avoid the possibility of electric shock.

- Let the oven cavity and the heating elements to cool down.
- Switch off the electrical supply.
- Remove the protective cover "C" (fig. 23).
- Replace the halogen lamp "B" with a new one suitable for high temperatures having the following specifications: 220-240V or 230-240V, 50 Hz and same power (check watt power as stamped in the bulb itself) of the replaced lamp.

IMPORTANT WARNING: Never replace the lamp with bare hands; contamination from your fingers can cause premature failure. Always use a clean cloth or gloves.

- Refit the protective cover "C".

NOTE: Oven bulb replacement is not covered by your guarantee.

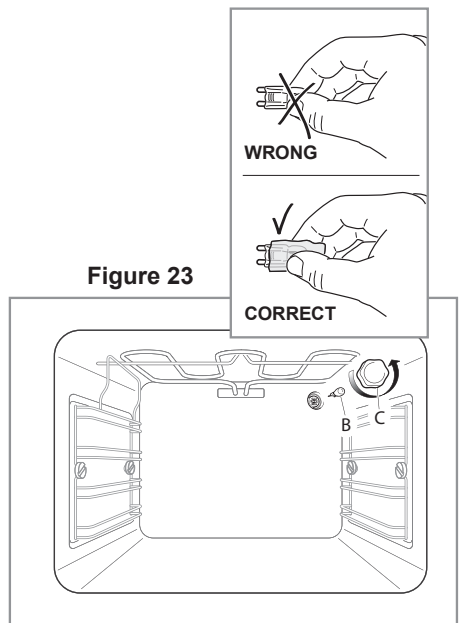


Figure 23

REMOVING AND REPLACING THE INNER DOOR GLASS PANE FOR CLEANING

If you wish to clean the inner pane of glass of the door, make sure you follow the precautions and instructions very carefully.

Replacing the glass pane and the door incorrectly may result in damage to the appliance and may void your warranty.

IMPORTANT!

- Take care, the oven door is heavy. If you have any doubts, do not attempt to remove the door.
- Make sure the oven and all its parts have cooled down. Do not attempt to handle the parts of a hot oven.
- Take extreme care when handling the glass pane. Avoid the edges of the glass bumping against any surface. This may result in the glass shattering.
- **CAUTION:**
Do not use harsh abrasive cleaners or sharp metal scrapers to clean the oven door panes of glass since they can scratch the surface, which may result in shattering of the glass.
- If you notice any sign of damage on any of the glass panes (such as chipping, or cracks), do not use the oven. Call your Authorised Service Centre or Customer Care.
- Make sure you replace the glass pane correctly. Do not use the oven without glass panes correctly in place.
- If the glass pane feels difficult to remove or replace, do not force it. Call your Authorised Repairer or Customer Care for help.
Note: service visits providing assistance with using or maintaining the oven are not covered by your warranty.

REMOVING THE OVEN DOOR

The oven door can easily be removed as follows:

- Open the door to the full extent (fig. 25a).
- Open the lever "A" completely on the left and right hinges (fig. 25b).
- Hold the door as shown in fig. 24.
- Gently close the door until left and right hinge levers "A" are hooked to part "B" of the door (figs. 25b, 25c).
- Withdraw the hinge hooks from their location following arrow "C" (fig. 25d).
- Rest the door on a soft surface.
- To replace the door, repeat the above steps in reverse order.

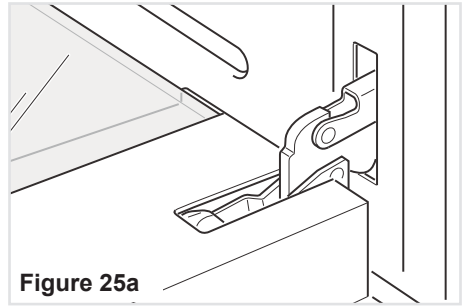


Figure 25a

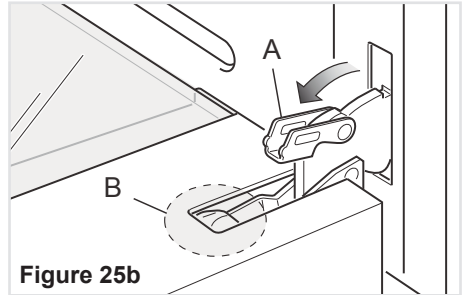


Figure 25b

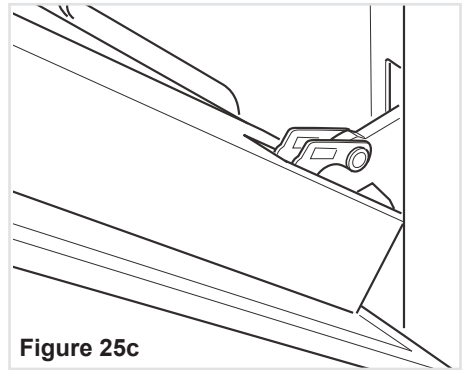


Figure 25c

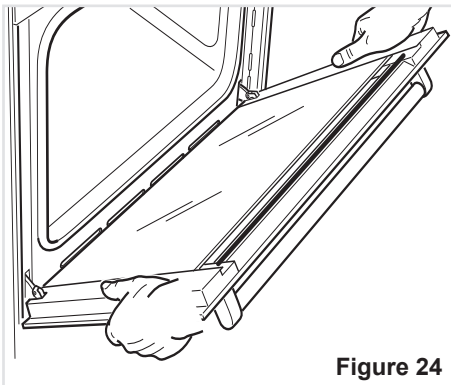


Figure 24

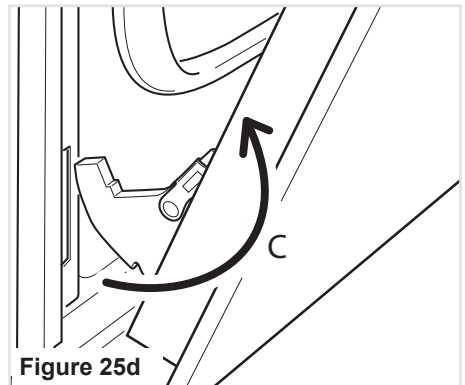


Figure 25d

CLEANING THE PANES OF GLASS

The oven door is fitted with no. 2 panes:

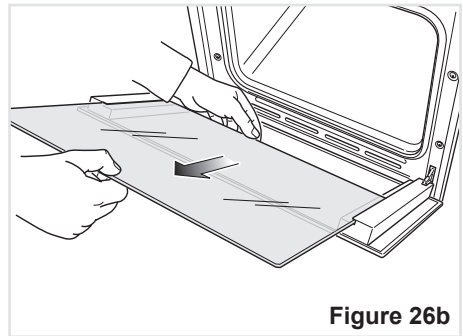
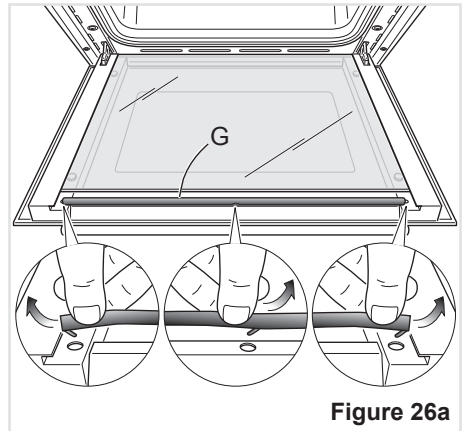
- no. 1 outside;
- no. 1 inner.

To clean the panes on both sides it is necessary to remove the inner pane as follows.

REMOVING THE INNER PANE OF GLASS

1. Lock the door open:
 - Open the door to the full extent (fig. 25a).
 - Open the lever "A" completely on the left and right hinges (fig. 25b).
 - Hold the door as shown in fig. 24.
 - Gently close the door until left and right hinge levers "A" are hooked to part "B" of the door (figs. 25b, 25c).
2. Remove the inner pane:
 - Remove the seal "G" by unhooking the no. 3 fixing hooks (fig. 26a).
 - Gently pull out the inner pane of glass (Fig. 26b).
 - Clean the glass with an appropriate cleaner. Dry thoroughly, and place on a soft surface.

Now you can also clean the inside of the outer glass.



REPLACING THE INNER PANE OF GLASS

1. Make sure the door is locked open (see fig. 25c).
2. Replace the inner pane:
 - Check that the four rubber pads are in place (“D” in Fig. 27a).
 - Check that you are holding the pane the correct way. You should be able to read the wording on it as it faces you.
 - Insert the pane in the left “E” and right “F” slide guides (fig. 27b), and gently slide it to the retainers “H” (fig. 27c).
 - Reassemble the seal “G” in the correct way by hooking the no. 3 fixing hooks in the proper holes (fig. 27d).
 - Unlock the oven door by opening it completely and closing the lever “A” on the left and right hinges (Fig. 27e).

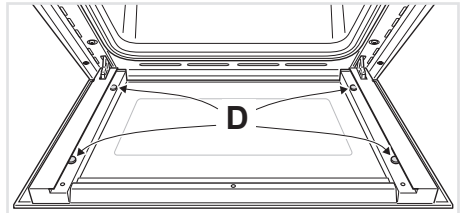


Figure 27a

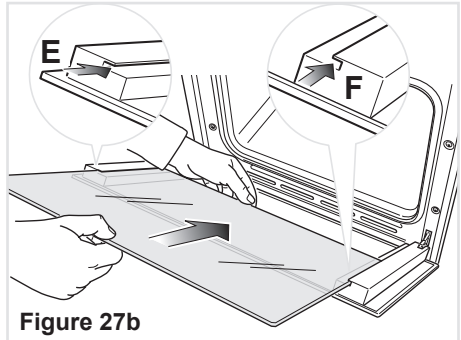


Figure 27b

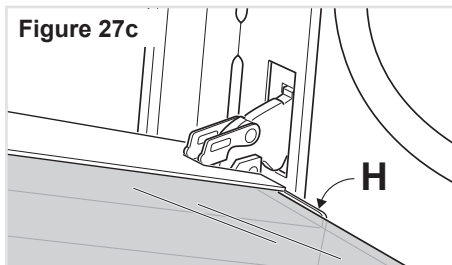


Figure 27c

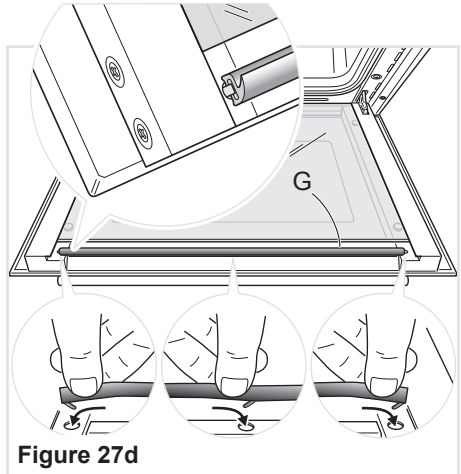
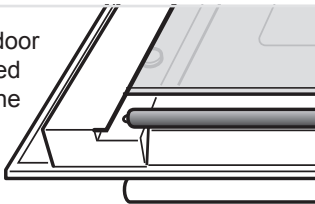


Figure 27d

The oven door has a sealed gasket in the top part.



It is normal the opened gap between the top edge of the inner glass and the sealed gasket. This allows the cooling air circulation.

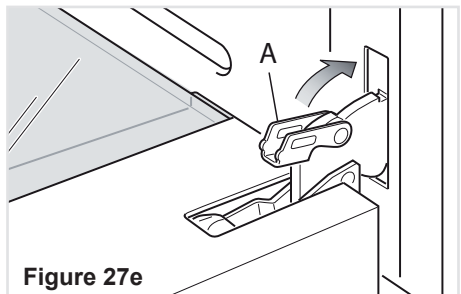


Figure 27e

SERVICE AND MAINTENANCE

SERVICING THE APPLIANCE

Service may be obtained by contacting our Customer Service Centre to locate the nearest Authorised Delonghi Service Agent:

Servicing shall be carried out only by authorized personnel.

The appliance shall not be modified.

TROUBLESHOOTING

If you experience a problem with your oven, check the following points before calling our Customer Service Centre for assistance.

1. The power is switched on.
2. The controls are switched on.
3. You have set the clock of the electronic programmer (the oven will not work until this has been done).
4. None semi-automatic or automatic cooking program has been selected.
5. Both the fuse and the mains fuse are intact.

Should you still require assistance please contact our Customer Service Centre for your nearest Authorised Delonghi Service Agent.

Descriptions and illustrations in this booklet are given as simply indicative.
The manufacturer reserves the right, considering the characteristics of the models described here, at any time and without notice, to make eventual necessary modifications for their construction or for commercial needs.

www.delonghi.com.au
www.delonghi.co.nz

